

Version	1.0	Date	8/29/25
Prepared By	JC		

**PRODUCT SPECIFICATION**

<b>Category</b>	Commercial Downlight
<b>Item Number</b>	9468
<b>Stock Code</b>	LED10CRL30SW-270L9CCT3/MV
<b>Mounting</b>	10" Recessed
<b>Housing Color</b>	White



ELECTRICAL CHARACTERISTICS			
Rated Wattage (W)	18/23/30	Replacement Wattage (W)	150-250W
Tested Wattage (W)	30		
Input Voltage (V)	120-277V	Surge Protect Level	2KV
Voltage Frequency (Hz)	60	Dimmable	0-10V
Input Current (A)	0.2	AUX (12V) Line	No
Power Factor	>0.9		
THD	<20%		

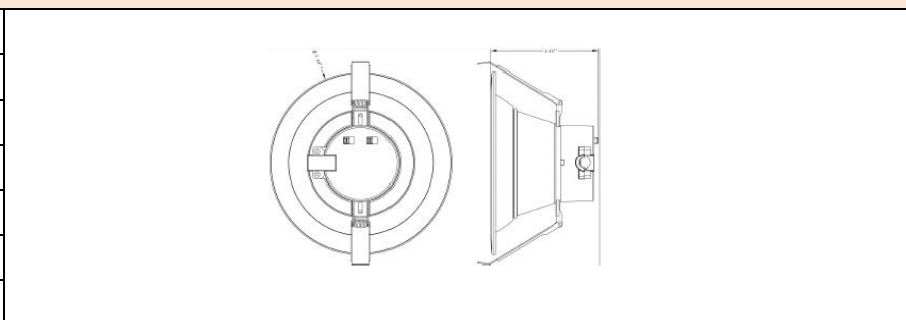
PHOTOMETRIC CHARACTERISTICS			
Lumen (lm)	1,620 2,070 2,700	CCT (K)	CCT3 (30/40/50K)
Efficacy (lm/w)	82lm/w	Beam Angle (°)	110
CRI	>90		

GENERAL CHARACTERISTICS	
Operating Temperature (°F)	-5°F ~ 113°
Storage Temperature (°F)	-4°F ~ 104°
IP Rating	Wet Location
IK Rating	-
Rated Life (Hrs)	50,000
Warranty (Yrs)	5

ACCESSORIES		
Item #	Stock Code	Description
7337	BAEM25-170BC/347-C	25W 120Vac Emergency Battery Back Up Inverter 120-347V
7342	BAEM40-170BC/347-C	40W 120Vac Emergency Battery Back Up Inverter 120-347V

**PRODUCT DIMENSIONS**

Diameter- in / (mm)	11.22	284.99
Height- in / (mm)	5.05	128.27
Depth- in / (mm)	11.22	284.99
EPA (ft²)	-	-
Weight (lbs)	-	-
Mounting Height (ft)	-	-
Cable Length (ft)	-	-



CERTIFICATIONS			
UL/ETL	ETL/cETL	CEC	✓
NSF/ETL Sanitation		JA8/T24	✓
Energy Star		FCC	✓
DLC		RoHs	✓

DOCUMENTS			
LM79	✓	IES File	✓
LM80	✓	Dimmer List	

**COMMENTS**

--