

Version	2.1	Date	12/20/24
Prepared By	JC		

PRODUCT SPECIFICATION

Category	Disk Light Square
Item Number	9371
Stock Code	LED6DLS-80L9CCT3
Mounting	6" Recessed
Housing Color	White



ELECTRICAL CHARACTERISTICS			
Rated Wattage (W)	12	Replacement Wattage (W)	90
Tested Wattage (W)	12		
Input Voltage (V)	V	Surge Protect Level	1KV
Voltage Frequency (Hz)	60	Dimmable	Incandescent Dimming
Input Current (A)	0.108	AUX (12V) Line	-
Power Factor	>0.9		
THD	<20%		

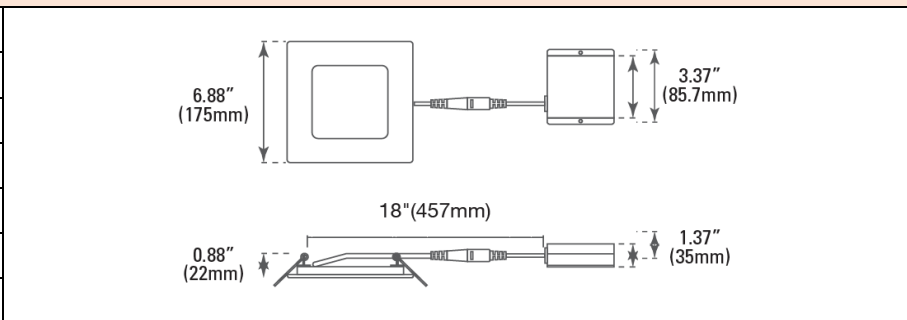
PHOTOMETRIC CHARACTERISTICS			
Lumen (lm)	800	CCT (K)	3CCT (30/40/50K)
Efficacy (lm/w)	-	Beam Angle (°)	Flood
CRI	>90		

GENERAL CHARACTERISTICS	
Operating Temperature (°F)	-4°F ~ 113°
Storage Temperature (°F)	-4°F ~ 113°
IP Rating	Damp Location
IK Rating	-
Rated Life (Hrs)	50,000
Warranty (Yrs)	5

ACCESSORIES		
Item #	Stock Code	Description
P10309	PLT-NC/6DL	6" Round Pre-Mounting Plate
P10375	PLT-NC-DL/3-4-6-8	Universal 3/4/6/8" Plate
7337	BAEM25-170BC/347-C	25W Micro Inverter 120-347V with 12" Conduit

PRODUCT DIMENSIONS

Width- in / (mm)	6.88"	175
Height- in / (mm)	0.88	22
Depth- in / (mm)	6.88"	175
EPA (ft²)	-	
Weight (lbs)	1.28	
Mounting Height (ft)	-	
Cable Length (ft)	-	



CERTIFICATIONS			
UL/ETL	ETL/cETL	CEC	✓
NSF/ETL Sanitation		JA8	✓
Energy Star		FCC	✓
DLC		RoHs	✓

DOCUMENTS			
LM79	✓	IES File	✓
LM80	✓	Dimmer List	

COMMENTS

--