

Version	2.1	Date	12/20/24
Prepared By	JC		

PRODUCT SPECIFICATION

Category	Flush Mount - Modern
Item Number	7597
Stock Code	LED14FMM-165L840-NI/MV
Mounting	14" Surface
Housing Color	White + Nickel



ELECTRICAL CHARACTERISTICS			
Rated Wattage (W)	22	Replacement Wattage (W)	150
Tested Wattage (W)	22		
Input Voltage (V)	120-277V	Surge Protect Level	-
Voltage Frequency (Hz)	60	Dimmable	Yes
Input Current (A)	0.183	AUX (12V) Line	-
Power Factor	>0.9		
THD	<20%		

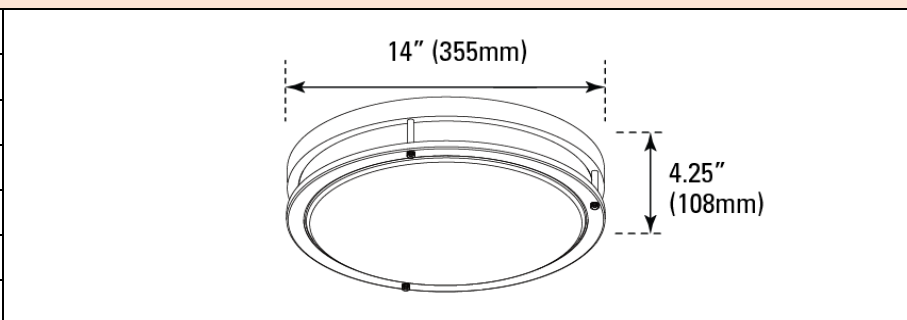
PHOTOMETRIC CHARACTERISTICS			
Lumen (lm)	1,652	CCT (K)	4000K
Efficacy (lm/w)	-	Beam Angle (°)	Flood
CRI	>90		

GENERAL CHARACTERISTICS	
Operating Temperature (°F)	-4°F ~ 104°
Storage Temperature (°F)	-4°F ~ 113°
IP Rating	Damp Location
IK Rating	-
Rated Life (Hrs)	50,000
Warranty (Yrs)	5

ACCESSORIES		
Item #	Stock Code	Description

PRODUCT DIMENSIONS

Width- in / (mm)	14.00"	355
Height- in / (mm)	4.25"	108
Depth- in / (mm)	-	-
EPA (ft²)	-	
Weight (lbs)	1.96	
Mounting Height (ft)	8~15	
Cable Length (ft)	-	



CERTIFICATIONS			
UL/ETL	ETL	CEC	
NSF/ETL Sanitation		JA8	
Energy Star		FCC	✓
DLC		RoHs	✓

DOCUMENTS			
LM79	✓	IES File	✓
LM80	✓	Dimmer List	

COMMENTS

--