

| | | | |
|-------------|-----|------|----------|
| Version | 2.1 | Date | 12/20/24 |
| Prepared By | JC | | |

PRODUCT SPECIFICATION

| | |
|----------------------|---------------------|
| Category | Bulkhead Wall Light |
| Item Number | 7025 |
| Stock Code | LED-FXBWL10/850/BK |
| Mounting | Wall |
| Housing Color | Black |



| ELECTRICAL CHARACTERISTICS | | | |
|----------------------------|-------|-------------------------|----|
| Rated Wattage (W) | 10 | Replacement Wattage (W) | 90 |
| Tested Wattage (W) | 10 | | |
| Input Voltage (V) | 120V | Surge Protect Level | - |
| Voltage Frequency (Hz) | 50/60 | Dimmable | - |
| Input Current (A) | 0.1 | AUX (12V) Line | - |
| Power Factor | >0.9 | | |
| THD | - | | |

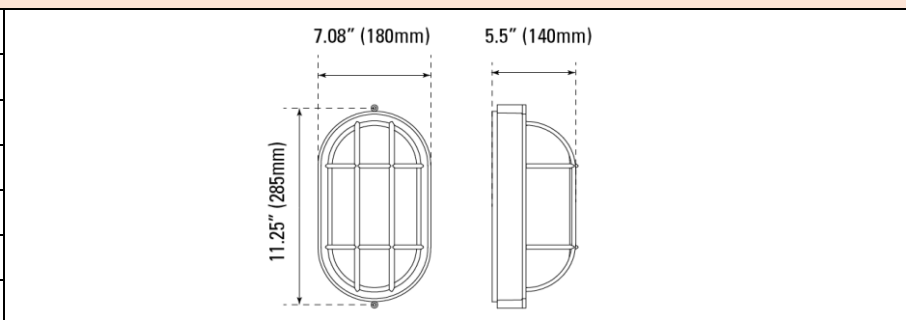
| PHOTOMETRIC CHARACTERISTICS | | | |
|-----------------------------|-----|----------------|-------|
| Lumen (lm) | 700 | CCT (K) | 5000K |
| Efficacy (lm/w) | - | Beam Angle (°) | - |
| CRI | >80 | | |

| GENERAL CHARACTERISTICS | |
|----------------------------|--------------|
| Operating Temperature (°F) | -4°F ~ 104° |
| Storage Temperature (°F) | -4°F ~ 122° |
| IP Rating | Wet Location |
| IK Rating | - |
| Rated Life (Hrs) | 50,000 |
| Warranty (Yrs) | 5 |

| ACCESSORIES | | |
|-------------|------------------|-------------|
| Item # | Stock Code | Description |
| P10036 | SEN-PHO-BT-MT/MV | Photocell |
| | | |
| | | |
| | | |

PRODUCT DIMENSIONS

| | |
|----------------------|-----------------|
| Width- in / (mm) | 7.08" 180 |
| Height- in / (mm) | 11.25" 285 |
| Depth- in / (mm) | 5.50" 140 |
| EPA (ft²) | - |
| Weight (lbs) | 3.53 |
| Mounting Height (ft) | - |
| Cable Length (ft) | - |



| CERTIFICATIONS | | | |
|--------------------|-----|------|--|
| UL/ETL | ETL | CEC | |
| NSF/ETL Sanitation | | JA8 | |
| Energy Star | | FCC | |
| DLC | | RoHs | |

| DOCUMENTS | | | |
|-----------|---|-------------|---|
| LM79 | ✓ | IES File | ✓ |
| LM80 | ✓ | Dimmer List | |
| | | | |
| | | | |

COMMENTS

| |
|--|
| |
|--|