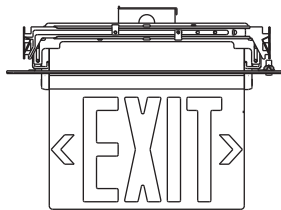


Caution

- DO NOT use outdoors.
- This equipment should be mounted in locations and at heights where it will
- DO NOT mount near gas or electric heaters.
- Cap off the unused wires with the included wire nuts or with other approved methods.
- Use of equipment that was NOT recommended by the manufacturer may cause an unsafe condition.
- DO NOT use this equipment for ANYTHING other than the intended use.
- ONLY qualified personnel should service this equipment.
- TURN OFF the AC power BEFORE performing ANY service.
- Be careful with the battery if there is lye leaking. Battery lye can cause burns to your skin and/or eyes. If lye is spilled on the skin and/or eyes, flush the lye with fresh water and immediately contact a physician.



SCAN ME

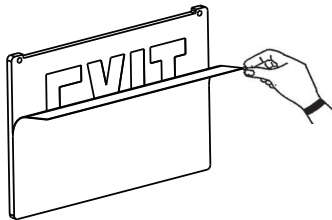
Plusrite USA
2000 S. Grove Ave, Bldg B
Ontario CA 91761

T:909-930-6868
T:888-758-7443
F:909-930-9988

www.naturaled.com

DETERMINE FACEPLATE

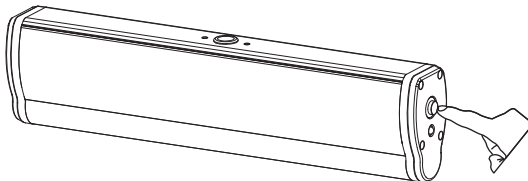
- If single sided is needed, keep silver mylar background panel.
- If double sided is needed, remove silver mylar background panel.
- For clear panel, only single sided is available, no extra action is needed.



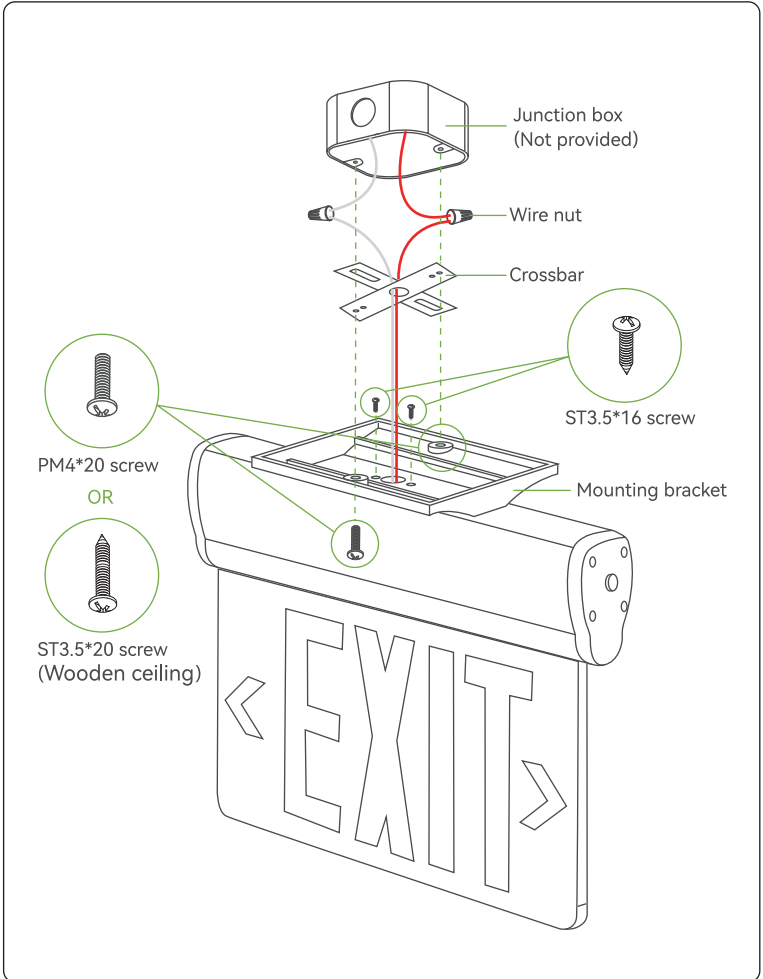
UNIVERSAL LED COLOR

- The product's default setting is red.
- Press and hold test switch 2 seconds to change the color to green.

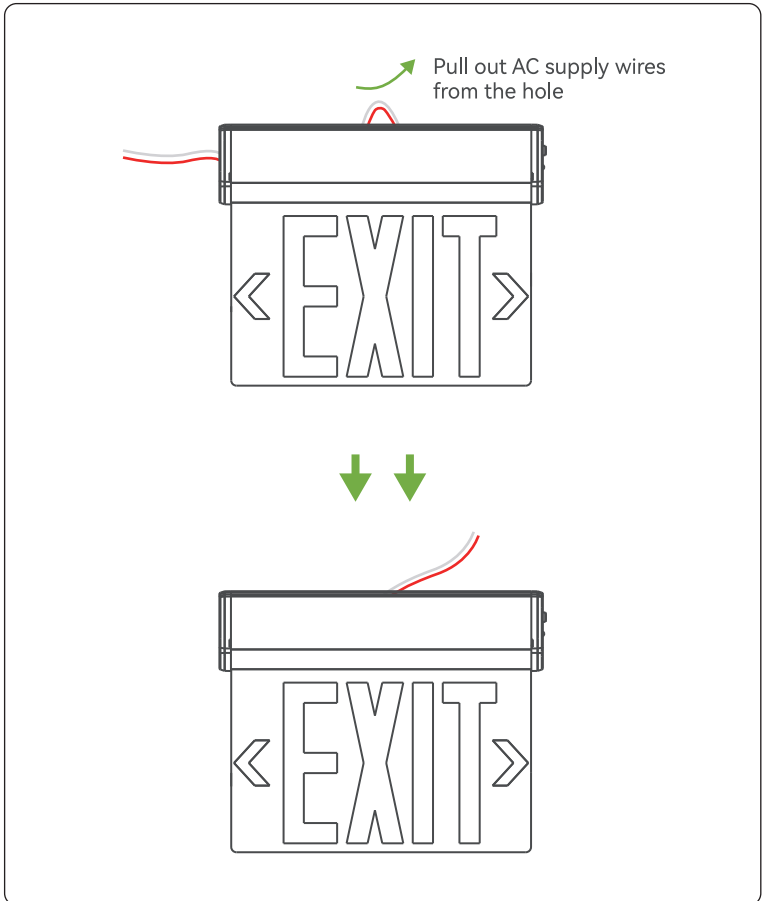
Notes: Press test switch one time will activate 30 seconds discharging, if you want to change LED color during discharging, press and hold the switch 2 seconds to exit discharge, and then press and hold the switch 2 seconds to change LED color.



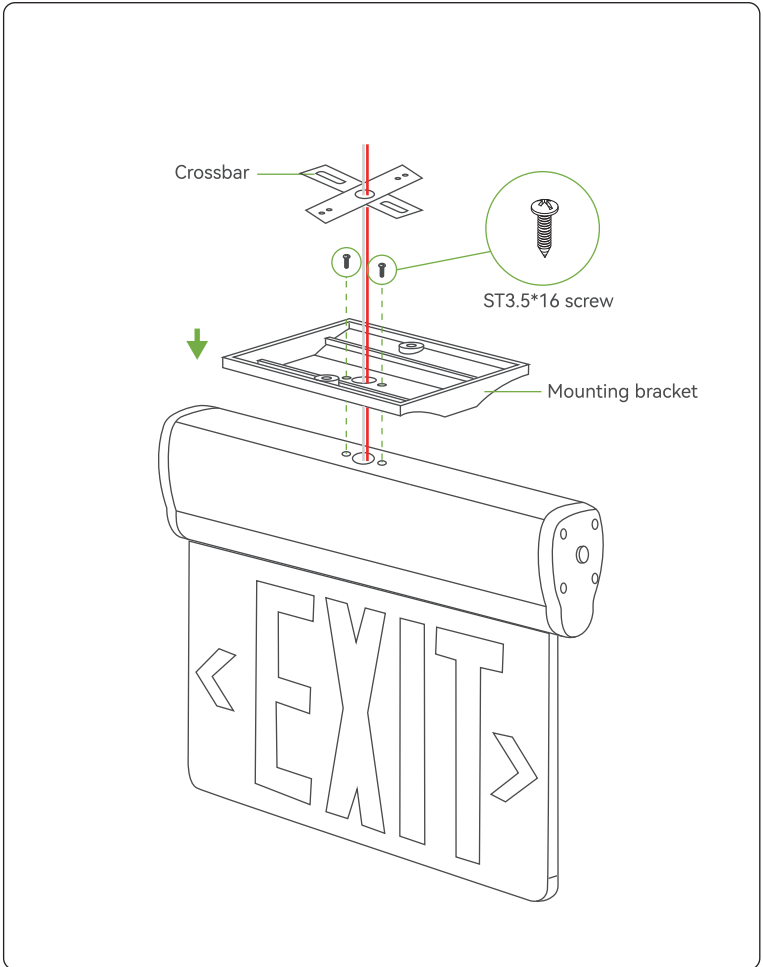
Ceiling Mount



1. Turn off the power before installing.
2. Attach the crossbar to the junction box (not included).

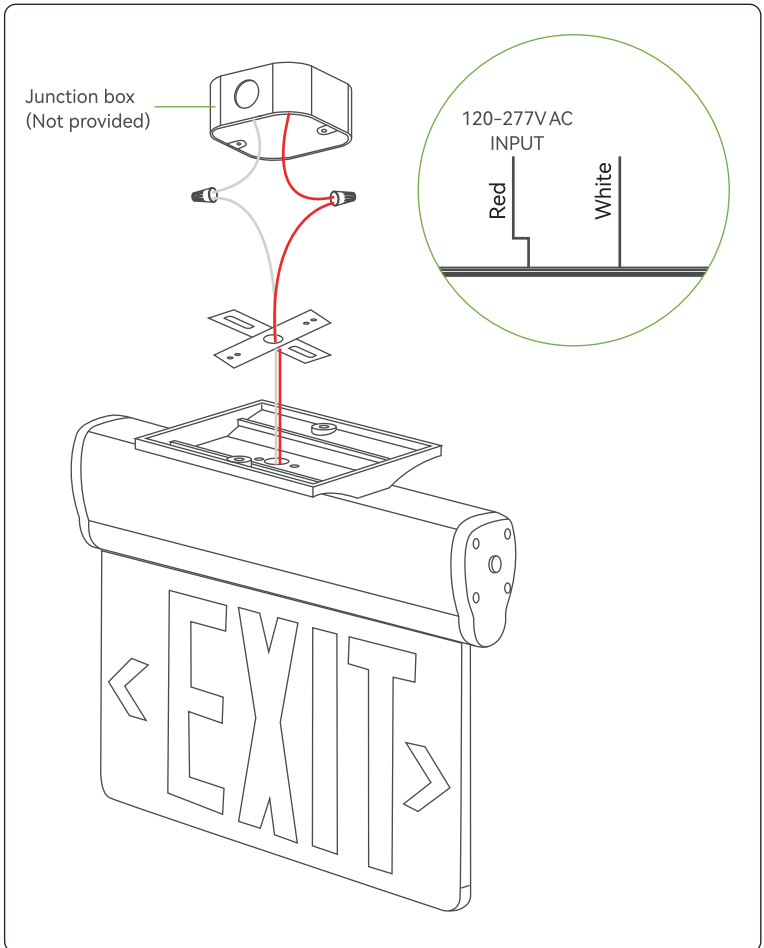


3. Pass the wire through the mounting bracket's central hole. Attach the mounting bracket to the driver box with the ST3.5*16 screws.

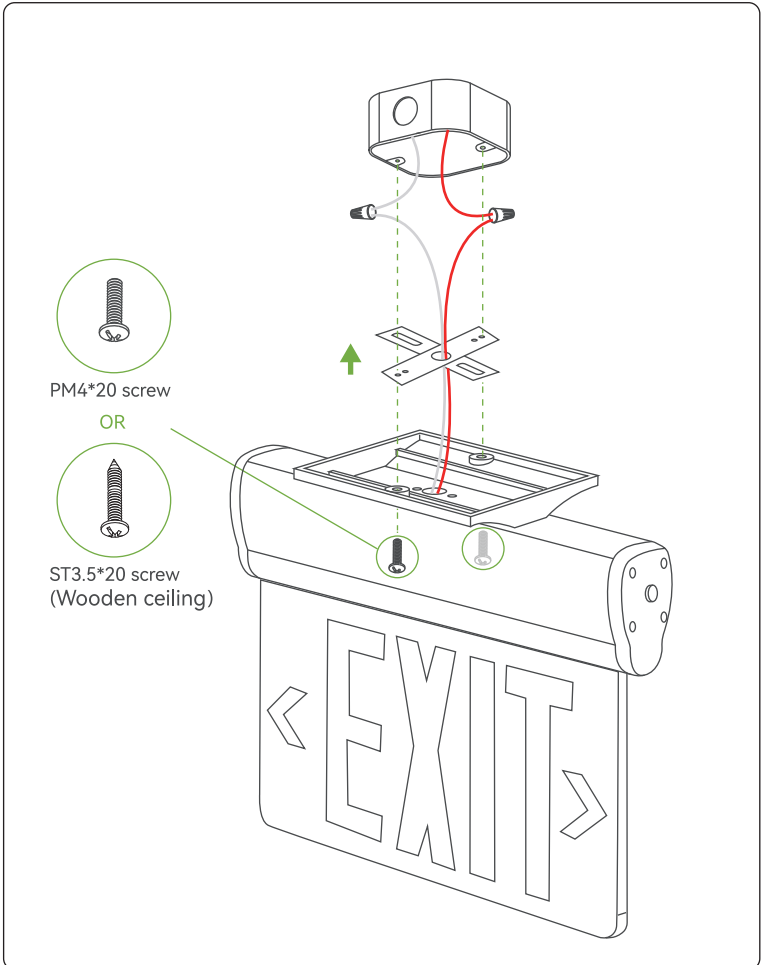


EX-EL EDGE-LIT EXIT SIGN

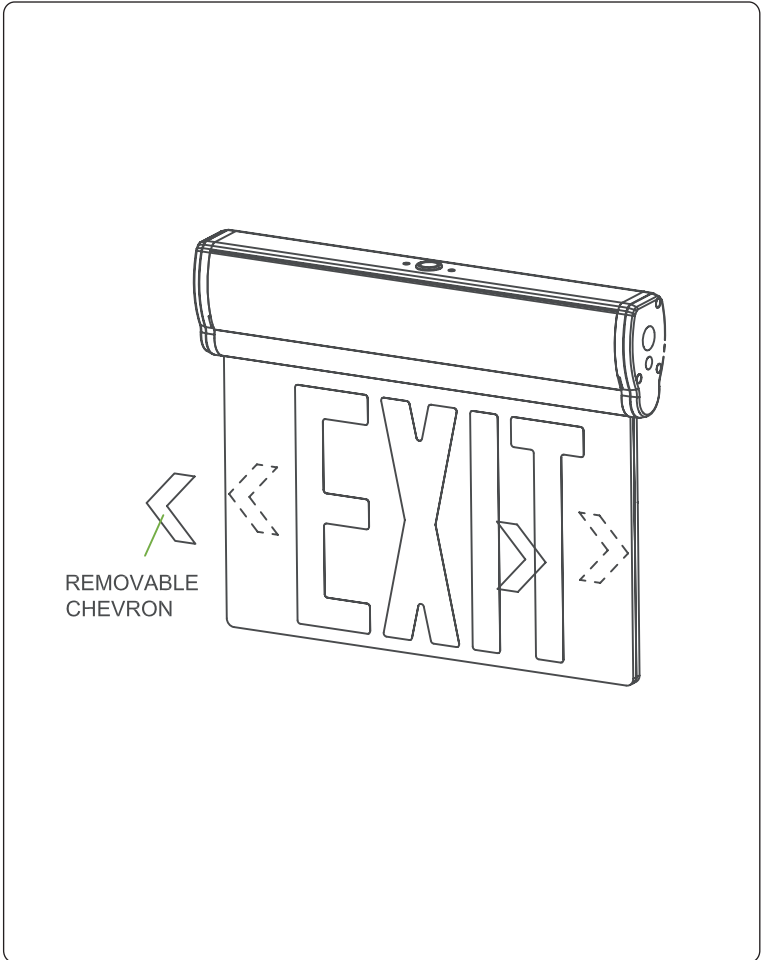
4. Now connect the wires, please connect the red and white wires to the building wire.



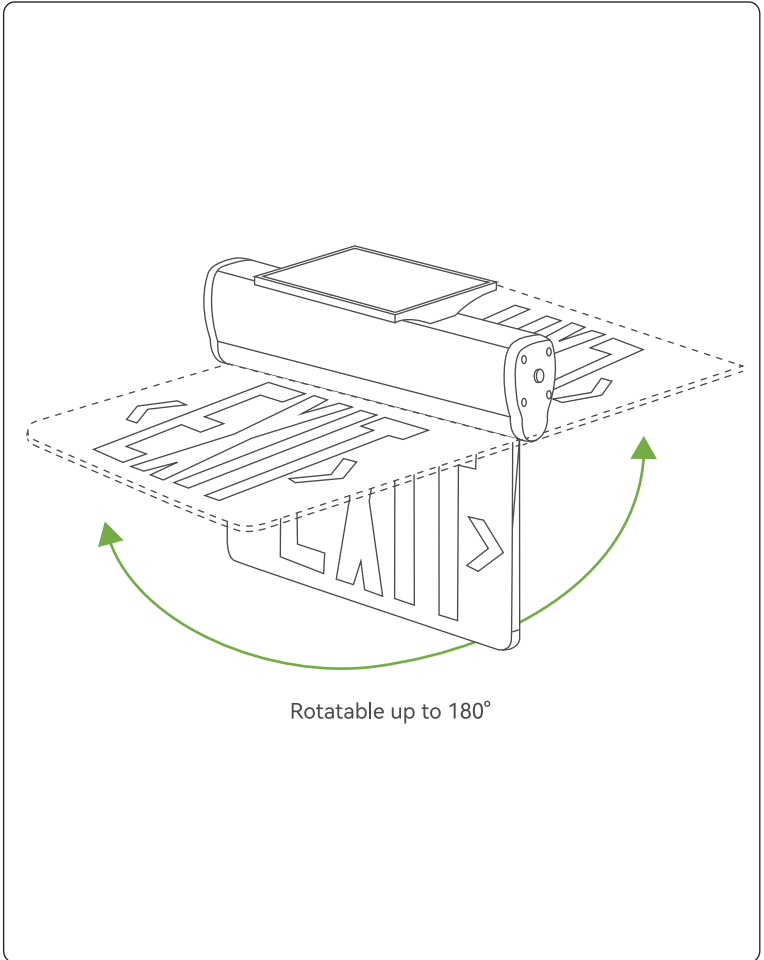
5. Attach the mounting bracket to the crossbar with the PM4*20 screws or the ST3.5*20 screws (Wooden ceiling) .



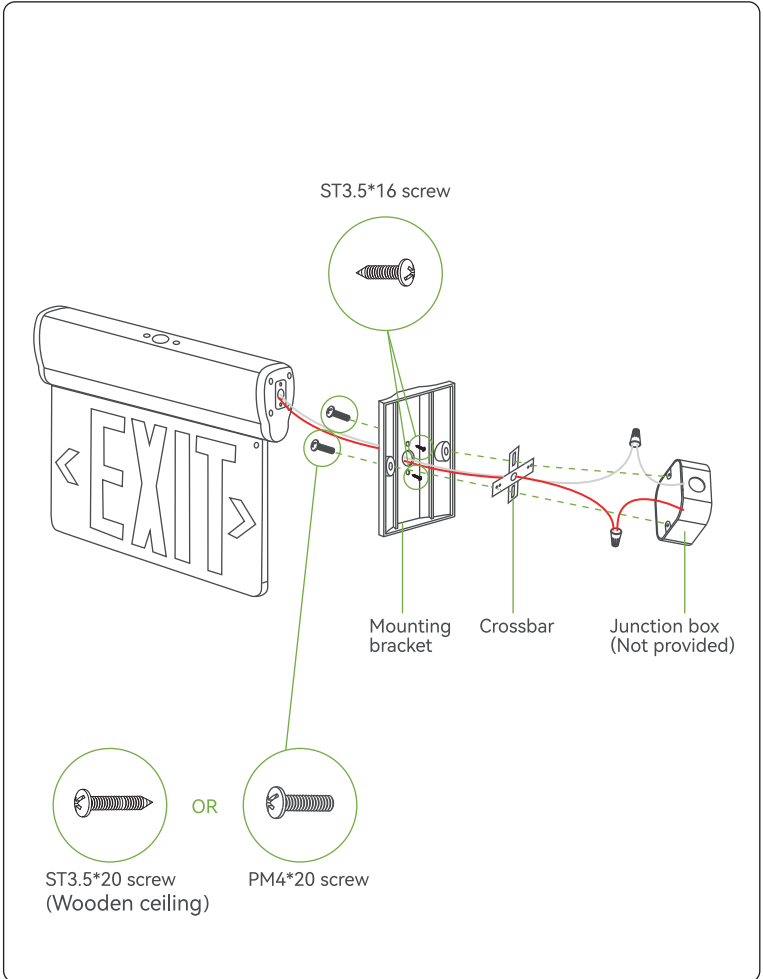
6. If the chevrons are not needed, please tear off from the panel.



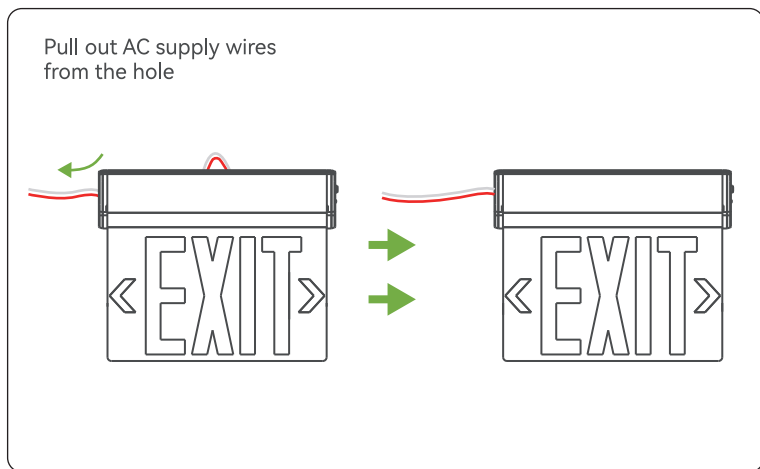
7. The EXIT panel can be rotated up to 180°. Wall mounting can be completed by rotating the mounting bracket 90°.



Side Mount



1. Turn off the power before installing.
2. Attach the crossbar to the junction box (not included).

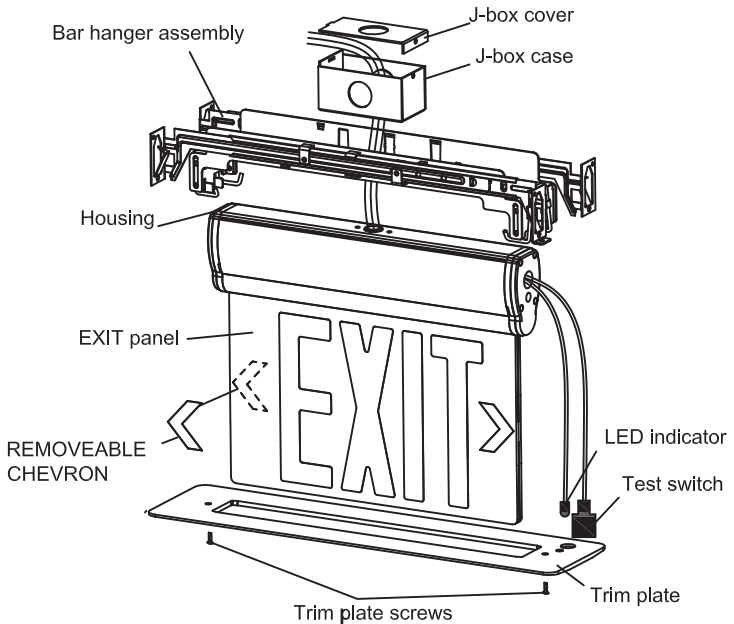


3. Pass the wires through the center of both the side cover and mounting bracket. Screw the side cover back to the driver box. Attach the mounting bracket to the tightened side cover with the ST3.5*16 screws.
4. Now connect the wires, please connect the red and white wires to the building wire.
5. Attach the mounting bracket to the crossbar with the PM4*20 screws or the ST3.5*20 screws (Wooden ceiling) .
6. If the chevrons are not needed, please tear off from the panel.

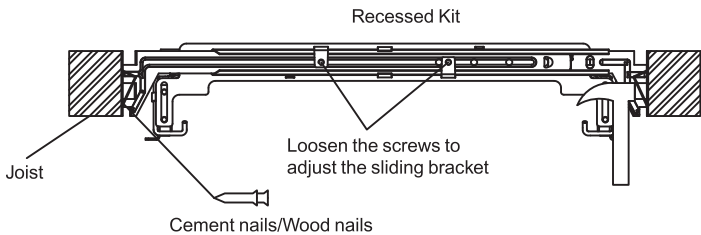
Recessed Mount

With T-bar mount:

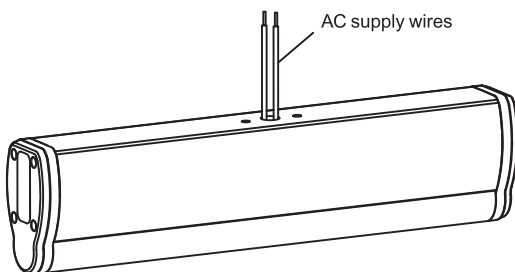
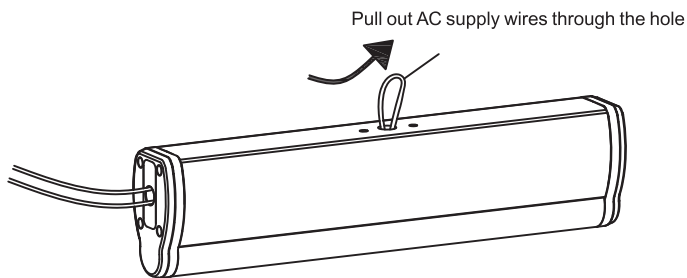
P10688 MT-TBAR-LEDEX-EL/SM



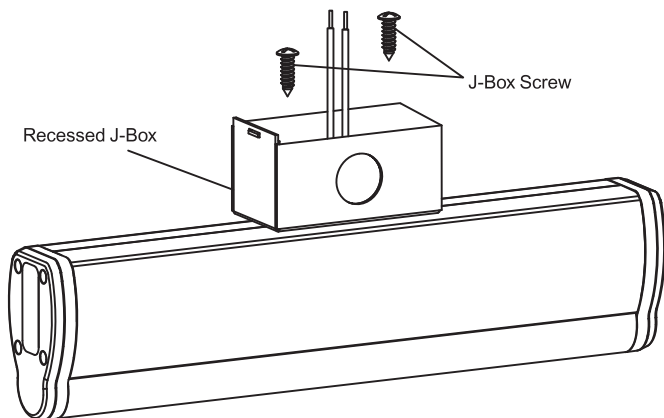
1. Position recessed kits and bar hangers between joists. Make sure bar hangers are in the correct position and level with the bottom of the joists. Hammer in temporary “nail in” tabs on hanger to hold in place and then secure permanently with the included Recess Bracket Screws for metal joists or wood (3 x 40 mm). Adjust recessed kit vertically to the desired position and then tighten all screws. The recommended opening in the surface is 4” x 30” rectangle. Max distance between Ceiling Joist is 18.5”.



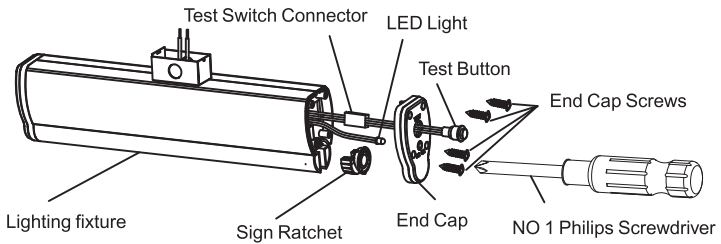
2. Feed AC supply wires through the center hole.



3. Make the electrical connections to the unit inside the J-Box. With a strain relief provided by the contractor and secure the lid of the J-Box with the J-Box to J-Box Screw (M4 x 5).

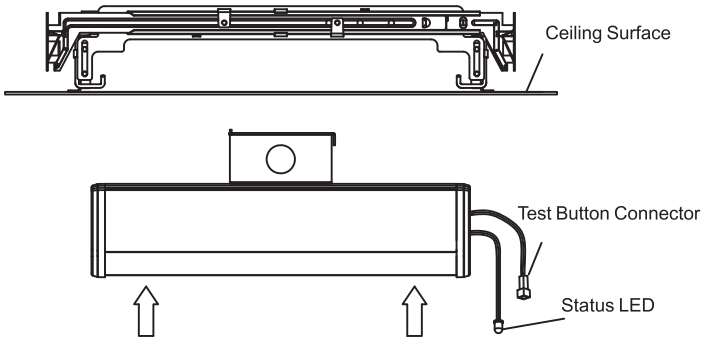


4. Remove the end cap with the Test Switch and Status LED using a #1 Philips Screwdriver. Be careful as the end cap also holds the Light Bar and Sign Ratchet. Remove the Test Button by unplugging the Test Button Connector, pinching the lever locks on the inside of the End Cap, and pushing the Test Button through the End Cap. Remove the Status LED from the Status LED Mounting Bushing by gently pushing the Status LED back through the End Cap. Route the Status LED through the larger Test Button hole. Reinstall the End Cap with the same screws (ST3.0 X 10) making sure the wires from the Test Button and Status LED are pulled through the Test Button hole.

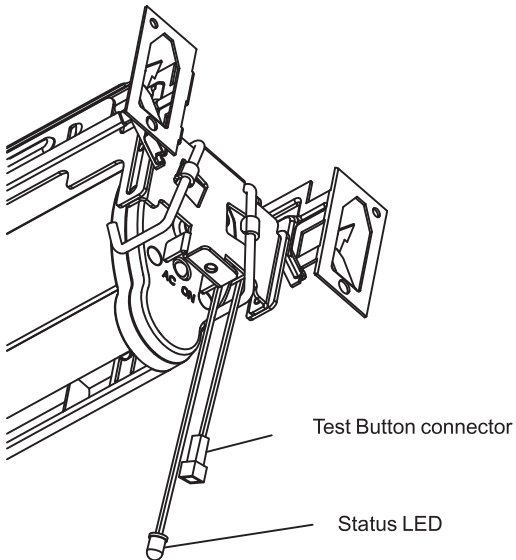


EX-EL EDGE-LIT EXIT SIGN

5. Install the light fixture into the Recess Bracket making sure not to pinch any wires. Tip: Keep the body of the light fixture close to the same plane as the ceiling surface for easier installation.

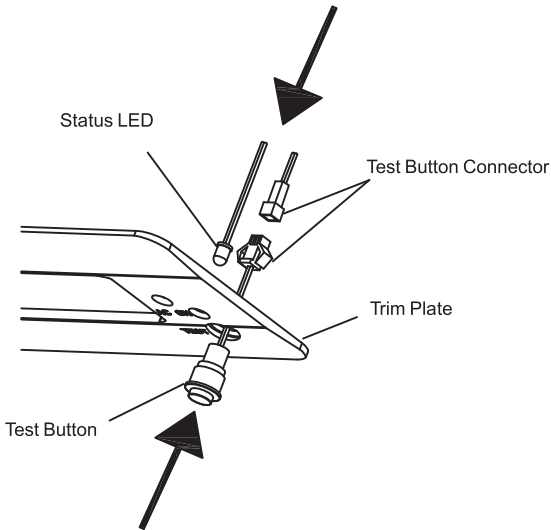


6. In preparation for the next step, route Status LED harness and Test Button harness through Recess Bracket between the Trim Plate Mounting Tab and Spring Clip, which is shown in the picture below.



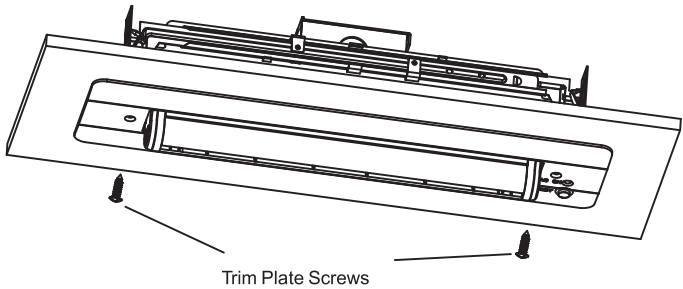
EX-EL EDGE-LIT EXIT SIGN

7. Install the Trim Plate Insert with Test Button and Status LED Mounts into the Trim Plate. Insert the Status LED Bushing into the front side of trim plate and push Status LED into bushing from backside of trim plate.



Side Mount

8. Install Trim Plate with included Trim Plate Screws (M4 X 5) which are shipped inside Universal Mount Accessory Kit located inside the J-Box.



10. Insert panel into main body assembly gently. Make sure the Chevron orientation is correct by peeling unnecessary.

