

PROJECT: \_\_\_\_\_

SCHEDULE: \_\_\_\_\_ DATE: \_\_\_\_\_

PREPARE BY: \_\_\_\_\_

NOTES: \_\_\_\_\_

## TWP Traditional Wall Pack

### DESCRIPTION

The naturaLED® TWP traditional wallpack features a rugged cast-aluminum housing with excellent thermal management, ensuring durability and long-lasting performance. Designed with a timeless classic appearance, it seamlessly integrates into various architectural styles while enhancing the aesthetic appeal of any building. Serving as a direct replacement for existing wallpacks or perimeter lighting, this energy-efficient fixture is ideal for outdoor applications such as carports, loading zones, driveways, parking lots, and walkways. Engineered for secure wall mounting, it is recommended to be installed at least four feet above the ground for optimal lighting coverage and effectiveness.



**Rated Life Hours 50,000**  
**Warranty 5 Years**

### APPLICATIONS

Security, Pathway, Perimeter, Entryway, Area Lighting, and Building Facades

### FEATURES

- IP65 Rated
- ETL/cETL Listed
- Wattage: 28W, 55W, 59W,60W
- Color Temp: 3000K, 4000K
- Voltage: 120-277V
- Surge Protection: 2KV
- Dimmable: 0-10V
- CRI: >70
- Operating Temperature: -22°F to 131°F
- Excellent Thermal Design
- Lens: Borosilicate Glass Lens
- Material: Die Cast Aluminum
- Color: Bronze
- Optional Accessories for Purchase: Photocell Sensor, Microwave Sensor, Emergency Driver
- Warranty: 5-Year Limited Warranty

### ACCESSORIES

	Motion Sensor
	Emergency Drivers
	Wireguard
	Replacement Lens
	Shield Cover
	Photocell Sensor

SAMPLE NUMBER		LED-FXTWP60/40K/DB		
LED	SERIES	WATTAGE	COLOR TEMP	COLOR
LED	FXTWP Traditional Wall Pack	60 60 Watts	40K 4000K	DB Dark Bronze



### ORDERING

\*P= Premium DLC / \*S = Standard DLC

Ordering Code	Description	Watts (W)	Lumens (Lm)	CCT (K)	Equiv. Wattage (W)	Voltage	Color	IP65 Rated
7756	LED-TWP28/30K/DB	28	3,448	3000K	175W	120-277V	Bronze	•
7777	LED-TWP55/40K/DB	58	8,382	4000K	400W	120-277V	Bronze	•
7758	LED-TWP59/30K/DB	59	7,128	3000K	250-400W	120-277V	Bronze	•
7088	LED-TWP60/40K/DB	60	7,449	4000K	250-400W	120-277V	Bronze	•

### ACCESSORIES



#### Motion Sensor

**P10234 SEN-MC605V-D**  
(Microwave Motion Photocell Sensor 0-10V)



#### Emergency Driver

**7336 BAEM4-60BC/MV-A**  
(4W Emergency Backup Driver 120-277V for #7756)



#### Wireguard

**P10004 WG-TWP-MEDIUM**  
(Wireguard for Medium TWP for #7777, #7088  
Size: 14.50"x9")



#### 7334 BAEM15-48BC/MV-A

(15W Emergency Backup Driver 120-277V for #7777, 7758, 7088)



#### Shield

**P10022 CVR-TWP-MEDIUM/DB**  
(Full Cut-off Shield for medium. Size: 14.5"x9")



#### Replacement Glass Lens

**P10001 LENS-TWP-LARGE**  
(Glass Lens Gasket, Size: 18.5"x9")

**P10023 CVR-TWP-LARGE/DB**  
(Full Cut-off Shield for Size: 18.5"x9")



#### Replacement PC Lens

**P10003 LENS-TWP-PC-MEDIUM**  
(Plastic Lens Gasket for 14.5"x9")

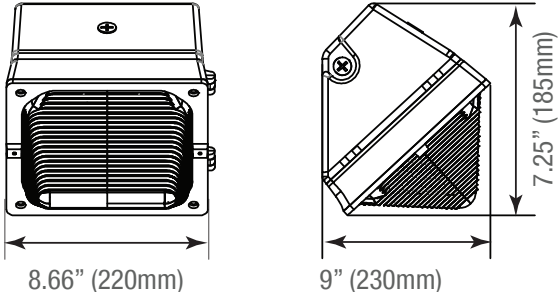


#### Photocell

**P10036 SEN-PHO-BT-MT/MV**  
(Button Photocell 120-277V)

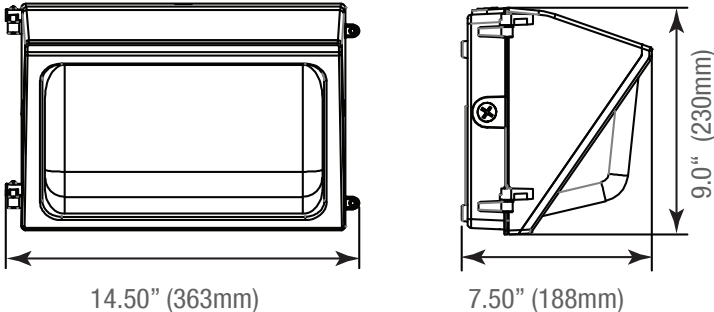
**DIMENSIONS**

**28W**  
5.51-lbs

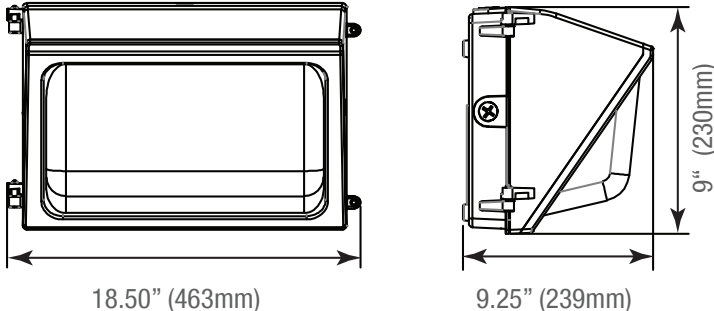


**55W**  
7.00-lbs

**60W**  
7.00-lbs

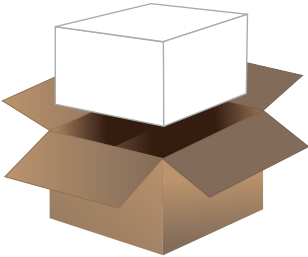


**59W**  
12-lbs



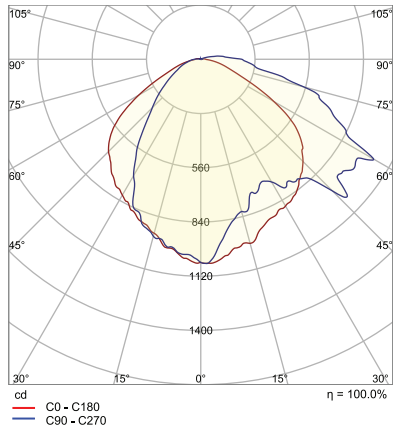
**PACKAGE**

	Master Carton (pc)	Dimensions (in)	Weight (lb)
<b>28W</b>	1	12.2"x11.61"x12.01	7.93
<b>55W</b>	1	15.75"x11.60"x9.75	13.22
<b>59W</b>	1	21.65"x12.20"x12.99	18.21
<b>60W</b>	1	15.75"x11.60"x9.75"	13.22

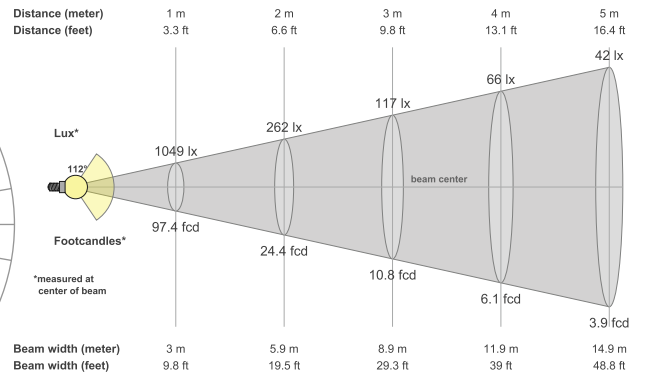
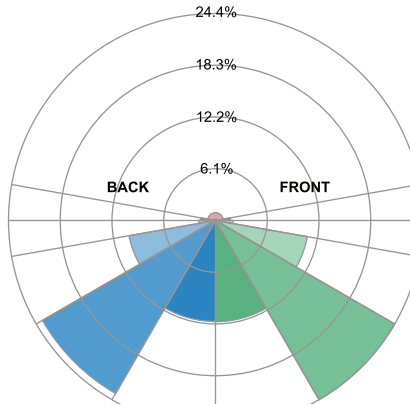


### PHOTOMETRICS

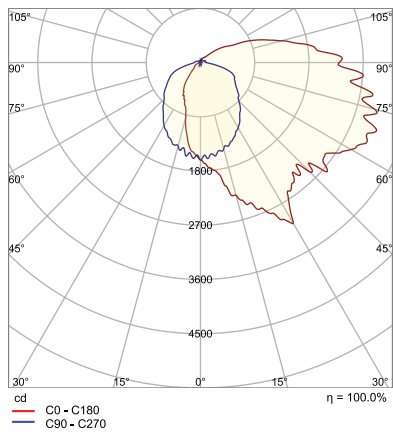
#### 28 Watt



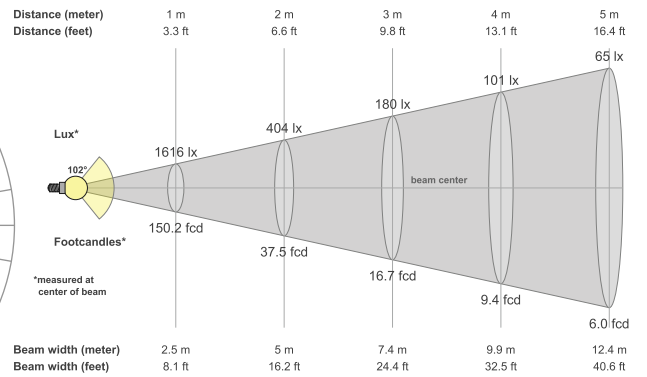
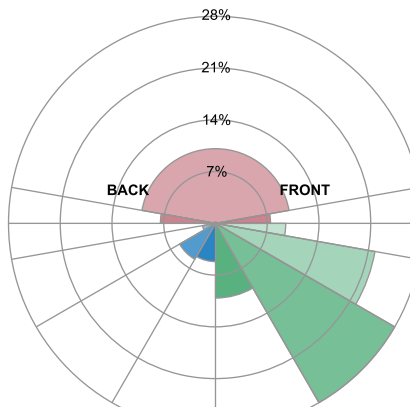
BUG rating B1 U3 G1



#### 55 Watt



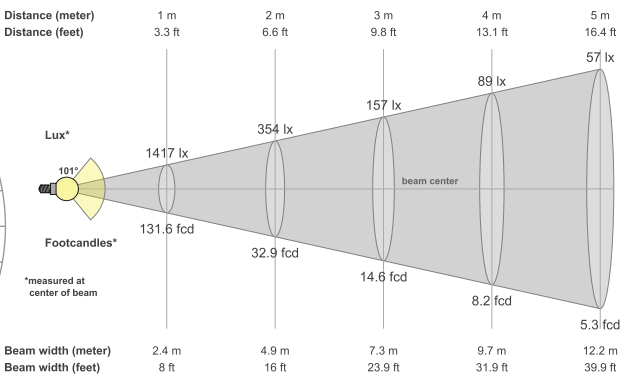
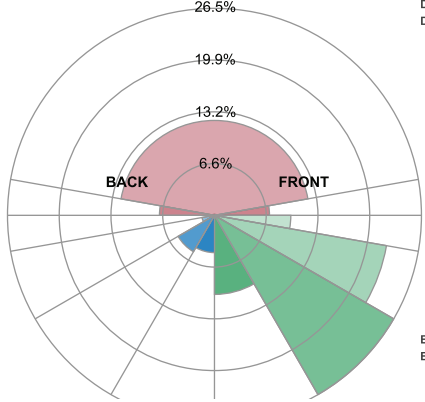
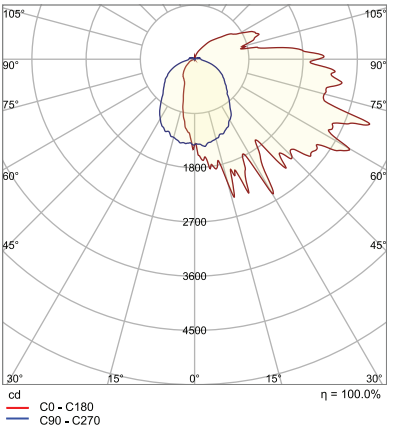
BUG rating B1 U4 G5



PHOTOMETRICS

59 Watt

BUG rating B1 U4 G4



60 Watt

BUG rating B2 U4 G3

