

PROJECT:

SCHEDULE:

DATE:

PREPARE BY:

NOTES:

SPL SPORTS LIGHT 16" SERIES

DESCRIPTION

Experience every moment of the action, whether you're watching or playing, with NaturaLED® sports lighting. Our high-performance sports lights deliver bright, evenly distributed illumination, ensuring no detail is missed. Designed with superior quality and DLC premium certification, this 500W fixture emits an impressive 75,000 lumens of crisp, glare-free lighting, helping athletes perform at their best. Upgrading your sports facility's lighting enhances safety, protects valuables, and fosters a stronger sense of community.



Rated Life Hours 50,000
Warranty 5 Years





APPLICATIONS

Stadium, Parks, Universities, Recreation Centers, Municipal Locations

FEATURES

- DLC Premium
- IP66 Rated
- IK08 Rated
- UL Listed
- Wattage Selectable
- Wattage: 300/400/500W
- Color Temp: 5000K
- Voltage: 120-277V, 480V
- Surge Protection: 20KV
- Dimmable: 0-10V
- CRI: >70
- Operating Temperature: -40°F to 122°F
- Beam Angle: NEMA 4x4
- Lens: UV Resistant Polycarbonate Lens
- Material: Die Cast Aluminum
- Color: Black
- Mounting Height: 20~50ft
- Optional Accessories for Purchase: Type 3x3(20°), Type 5x5(45°), Glare Shield Louver, Slip Fitter Mount, Glare Shield Louver, Laser Pointer
- Warranty: 5-Year Limited Warranty

ACCESSORIES

| | |
|---|---------------------|
|  | Slip Fitter Mount |
|  | Laser Pointer |
|  | Glare shield louver |
|  | Lens - Type 3, 5 |

SAMPLE NUMBER

FX16SPL500SW/44/50K/BK/480

| SERIES | WIDTH | WATTAGE | LENS | CRI/COLOR TEMP | COLOR | VOLTAGE |
|--------------|--------------|---------------------------|--------------|-----------------|-------|---------|
| SPL | 16 | 500S | 44 | 50K | BK | 480 |
| Sports Light | 16" Diameter | 500 Wattage Selectable | Type Lens4x4 | CRI 70 5000K | Black | 480V |



*P= Premium DLC / *S = Standard DLC

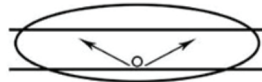
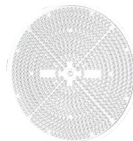
ORDERING

| Watts (W) | Ordering Code | Description | CCT (K) | Lumens (Lm) | Equiv. Wattage | Voltage | Lens | IP Rating | DLC (S/P) |
|-----------|---------------|----------------------------|---------|-------------|----------------|----------|------|-----------|-----------|
| 300 | 9744 | FX16SPL500SW/44/50K/BK | 5000K | 45,000 | 1000-1500 | 120-277V | 4X4 | IP66 | P |
| 400 | | | | 60,000 | | | | | |
| 500 | | | | 75,000 | | | | | |
| 300 | 9824 | FX16SPL500SW/44/50K/BK/480 | 5000K | 45,000 | 1000-1500 | 480V | 4X4 | IP66 | P |
| 400 | | | | 60,000 | | | | | |
| 500 | | | | 75,000 | | | | | |

ACCESSORIES



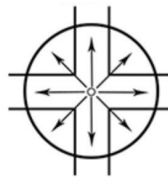
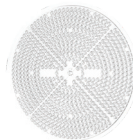
P10676 GSLV-SPL16
Glare shield louver



P10678 LENS-SPL16-3X3
Type 3 Lens



P10633 MT-SF-SPL-BK-G1
Slip Fitter Mount

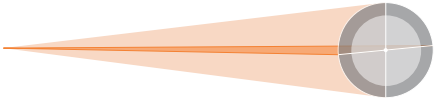
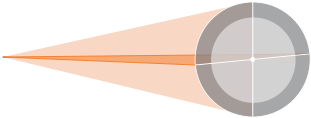
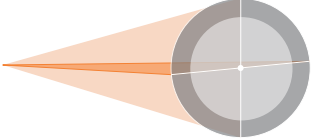


P10680 LENS-SPL16-5X5
Type 5 Lens



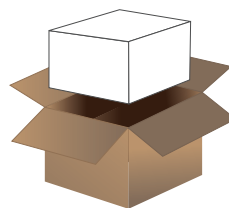
P10305 LASER-SPL/GRN
Laser Position Light

BEAM ANGLE NEMA TYPE AND BEAM SPREAD

| BEAM SPREAD | NEMA TYPE | BEAM SPREAD | DESCRIPTION |
|--|-------------------------|-------------|---|
|  | 3x3 Medium Narrow | 29° - 46° | The medium narrow spot distribution is ideal for applications where beam light is needed but require a wider in distribution compared to NEMA 2x2 beam spread. |
|  | 4x4 Medium | 46° - 70° | Setting a medium perfect for landscape and facade lighting with farther setbacks but providing a concentrated distribution. |
|  | 5x5 Medium Wide | 70° - 100° | Wide distribution designed where applications required for wider pattern of lights. The medium flood is ideal for perimeter, architectural, signs, and general landscapes applications. |

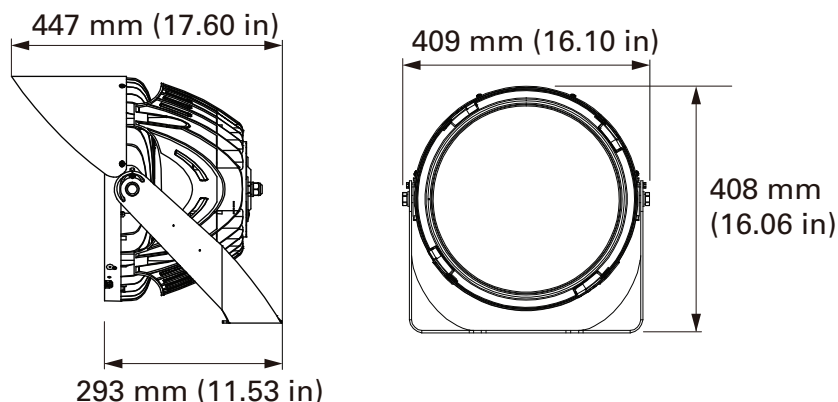
PACKAGE

| Master Carton (pc) | Dimensions (in) | Weight (lb) |
|--------------------|------------------------|-------------|
| 1 | 19.32" x 17.7" x 12.8" | 23.4 |



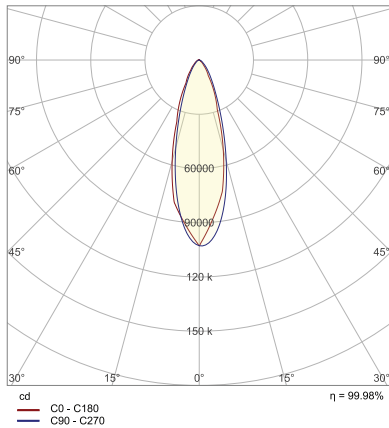
DIMENSIONS

22.71-lbs [500SW]

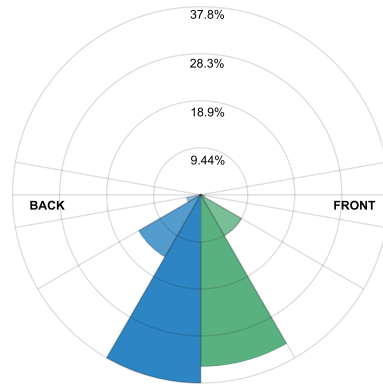


PHOTOMETRICS

300 Wattage



BUG rating B5 U0 G3

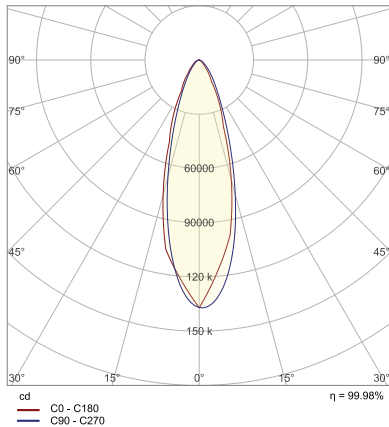


Illuminance at a Distance

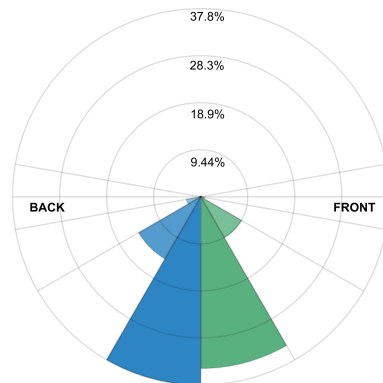
| | Center Beam fc | Field Width | |
|--------|-----------------|----------------|----------------|
| 8.3ft | 1,491 fc | 10.7 ft | 11.0 ft |
| 16.7ft | 368 fc | 21.6 ft | 22.2 ft |
| 25.0ft | 164 fc | 32.3 ft | 33.3 ft |
| 33.3ft | 92.6 fc | 43.1 ft | 44.3 ft |
| 41.7ft | 59.1 fc | 54.0 ft | 55.5 ft |
| 50.0ft | 41.1 fc | 64.7 ft | 66.6 ft |

■ Vert. Spread: 65.8°
■ Horiz. Spread: 67.3°

400 Wattage



BUG rating B5 U0 G3

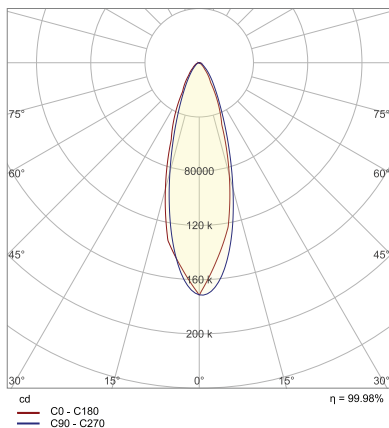


Illuminance at a Distance

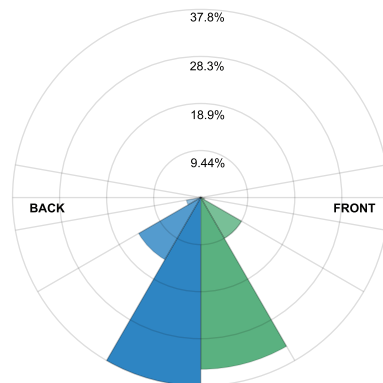
| | Center Beam fc | Field Width | |
|--------|-----------------|----------------|----------------|
| 8.3ft | 1,988 fc | 10.7 ft | 11.0 ft |
| 16.7ft | 491 fc | 21.6 ft | 22.2 ft |
| 25.0ft | 219 fc | 32.3 ft | 33.3 ft |
| 33.3ft | 123 fc | 43.1 ft | 44.3 ft |
| 41.7ft | 78.7 fc | 54.0 ft | 55.5 ft |
| 50.0ft | 54.8 fc | 64.7 ft | 66.6 ft |

■ Vert. Spread: 65.8°
■ Horiz. Spread: 67.3°

500 Wattage



BUG rating B5 U0 G3



Illuminance at a Distance

| | Center Beam fc | Field Width | |
|--------|-----------------|----------------|----------------|
| 8.3ft | 2,485 fc | 10.7 ft | 11.0 ft |
| 16.7ft | 614 fc | 21.6 ft | 22.2 ft |
| 25.0ft | 274 fc | 32.3 ft | 33.3 ft |
| 33.3ft | 154 fc | 43.1 ft | 44.3 ft |
| 41.7ft | 98.4 fc | 54.0 ft | 55.5 ft |
| 50.0ft | 68.5 fc | 64.7 ft | 66.6 ft |

■ Vert. Spread: 65.8°
■ Horiz. Spread: 67.3°