

PROJECT: _____

SCHEDULE: _____ DATE: _____

PREPARE BY: _____

NOTES: _____

SCM Slim Canopy 10"x10"

DESCRIPTION

The naturaLED® SCM IP65-rated fixtures feature a sleek, low-profile design with durable die-cast aluminum housing and a shatter-resistant polycarbonate prismatic lens. These dust-proof fixtures include ½" threaded conduit entrances on both sides. Available with or without a microwave occupancy sensor, the SCM fixtures support both direct surface mounting (on ceilings or walls) and pendant mounting, which accommodates a ¾" NPT thread and is compatible with various J-box types.



APPLICATIONS

Warehouses, Parking Garages, Offices, Factories, Hospitals, Hotels



Rated Life Hours 50,000
Warranty 5 Years

FEATURES

- DLC Premium
- IP65 Rated
- ETL/cETL Listed
- Motion Sensor Available
- Wattage: 42W, 59W
- Color Temp: 4000K, 5000K
- Voltage: 120-277V
- Surge Protection: 4KV
- Dimmable: 1-10V
- CRI: >80
- Operating Temperature: -40°F to 122°F
- Beam Angle: 160°
- 1/2" Conduit on both sides
- Lens: Polycarbonate Lens
- Material: Die Cast Aluminum
- Color: Black / White
- Optional Accessories for Purchase: Emergency Driver, Drop Lens, Frosted Lens, Photocell Sensor, Motion Sensor, Surge Protector, Beauty Plates
- Warranty: 5-Year Limited Warranty

ACCESSORIES

	Emergency Driver
	Motion Sensor
	Beauty Plate
	Drop Lens
	Frosted Lens
	Surge Protector
	Photocell

SAMPLE NUMBER		FX10SCM42/840/BK-SEN				
FAMILY	SIZE	SERIES	WATTAGE	CRI/COLOR TEMP	COLOR	ACCESSORY
FX Fixture	10 10-inch	SCM Slim Canopy	42 42 Watt	840 CRI 80 4000K	BK Black	SEN Motion Sensor Included



ORDERING

*P= Premium DLC / *S = Standard DLC

Ordering Code	Description	Watts (W)	Lumens (Lm)	CCT (K)	Equiv. Wattage (W)	Voltage	Color	Sensor	IP65 Rated	DLC (S/P)
9418	FX10SCM42/840/BK	42	5,517	4000K	175W	120-277V	Black	-	•	P
9422	FX10SCM59/840/BK	59	7,695	4000K	250W	120-277V	Black	-	•	P
9423	FX10SCM59/850/BK	59	7,845	5000K	250W	120-277V	Black	-	•	P
9421	FX10SCM42/850/WH	42	5,638	5000K	175W	120-277V	White	-	•	P
9424	FX10SCM59/840/WH	59	7,695	4000K	250W	120-277V	White	-	•	P
9434	FX10SCM42/840/BK-SEN	42	5,517	4000K	175W	120-277V	Black	•	•	P
9436	FX10SCM59/840/BK-SEN	59	7,695	4000K	250W	120-277V	Black	•	•	P

ACCESSORIES

Motion Sensor



P10234 SEN-MC605V-D
(Microwave Motion Sensor 0-10V)

Emergency Driver



7336 BAEM4-60BC/MV-A
(Emergency Driver for #9418,#9422,#9423
#9421,#9424)

Photocell



P10036 SEN-PHO-BT-MT/MV
(Button Photocell 120V-277V)

Beauty Plates



P10195 PLT-SCM/14X14/WH
(14"x14" Beauty Plate used with SCM)

P10196 PLT-SCM/24X24/WH
(24"x24" Beauty Plate used with SCM)



Frosted Lens

P10125 LENS-SCM/FR9X9
(Frosted Lens for SCM for 10")



Drop Lens

P10126 LENS-SCM/DR9X9
(Drop Lens for SCM for 10")



Surge Protector

P10389 SPD-L-10KV-277
(Surge Protection 10KV 120-277V)

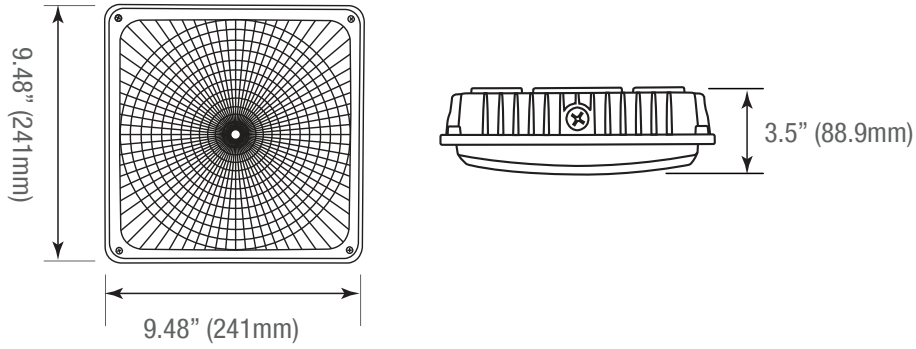
P10390 SPD-L-20KV-277
(Surge Protection 20KV 120-277V)

P10391 SPD-L-20KV-480
(Surge Protection 20KV 347-480V)

SLIM CANOPY 10"x10"
CEILING & AREA LUMINAIRES

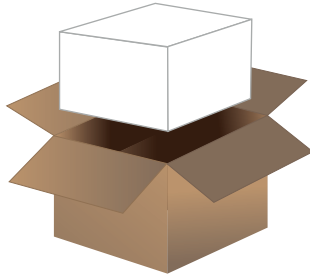
DIMENSIONS

42 Watt / 59 Watt
5.10-lbs



PACKAGE

	Master Carton (pc)	Dimensions (in)	Weight (lb)
42 Watt	1	10.20"x10.20"x4.10"	4.74
59 Watt	1	10.20"x10.20"x4.10"	5.18



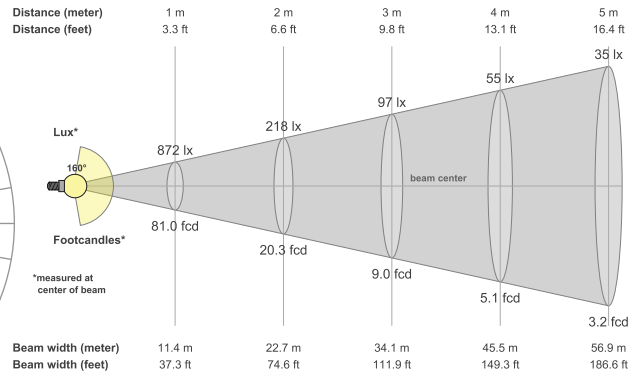
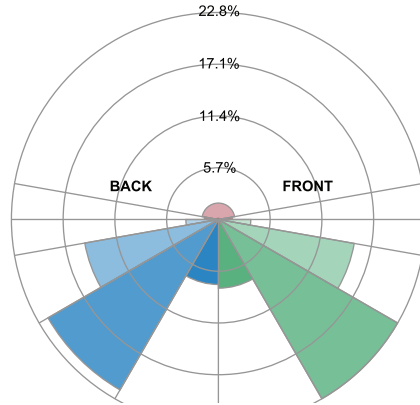
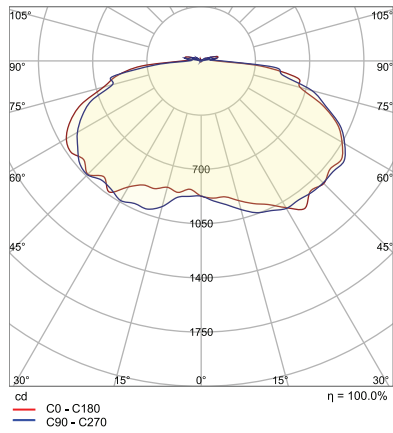
SLIM CANOPY 10"x10"

CEILING & AREA LUMINAIRES

PHOTOMETRICS

42 Watt

BUG rating B2 U3 G2



59 Watt

BUG rating B3 U3 G3

