

RL LED DOWNLIGHT CCT5

PROJECT: _____

SCHEDULE: _____ DATE: _____

PREPARE BY: _____

NOTES: _____

DESCRIPTION

The naturaLED® Recessed Downlight Retrofit provides a simple, energy-efficient upgrade for standard 60W to 120W incandescent bulbs. Built to fit standard 4-inch, 5/6-inch recessed fixtures, these downlights feature an easy installation process complete with an included E26 adapter. Each unit is dimmable, Wet Location certified, and boasts a 90 CRI for exceptional color clarity. Tailor your space's ambiance by choosing the dedicated 3000K model, or opt for the multi-temperature version to easily toggle between five distinct color settings (2700K to 5000K).

APPLICATIONS

Bathroom, Over Mirror, Accent, Residential, Hospitality



Rated Life 35,000
Warranty 3 Years

FEATURES

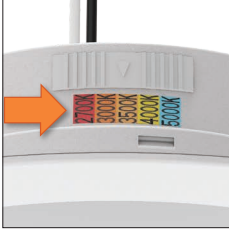
- ETL Listed
- Wet Location
- JA8/Title24
- Color Selectable
- CCT: 3000K, CCT5 (27K/30K/35K/40K/50K)
- Voltage: 120V
- Powerfactor >0.9
- Surge Protection: 2.5KV
- Beam Angle: 95~100°
- Dimmable: Incandescent dimming
- CRI: >90
- Operating Temperature: -4°F~104°F
- Optional Accessories for Purchase: Emergency Drivers (external installation only*)
- Warranty: 3-Year Limited Warranty

ACCESSORIES



Emergency Driver

*Available for CCT5 models only



CCT SELECTABLE
5 color temperatures with selector switch

CCT: (2700K, 3000K, 3500K, 4000K, 5000K)

SAMPLE NUMBER LED6RL12-100L9CCT5

STYLE	DIAMETER	SERIES	WATTAGE	LUMEN	CRI	COLOR TEMP
LED	6	RL	12	100L	9	CCT5
LED Lighting	5/6 inch	Commercial Recessed Light	12 Watt	1,000 Lumens	CRI 90	Selectable Color Temperature 2700K, 3000K, 3500K, 4000K, 5000K



ORDERING

Watts (W)	Ordering Code	Description	CCT (K)	Lumens (Lm)	Equiv. Wattage (W)	Size	Wet Location	Energy Star
9	9780	LED4RL9-60L930	3000K	600	60	4"	•	-
12	9781	LED6RL12-80L930	3000K	800	80	5/6"	•	-
9	9782	LED4RL9-75L9CCT5 (27/30/35/40/50K)	5CCT	750	80	4"	•	•
12	9783	LED6RL12-100L9CCT5 (27/30/35/40/50K)	5CCT	1,000	120	5/6"	•	•

ACCESSORIES



Emergency Driver

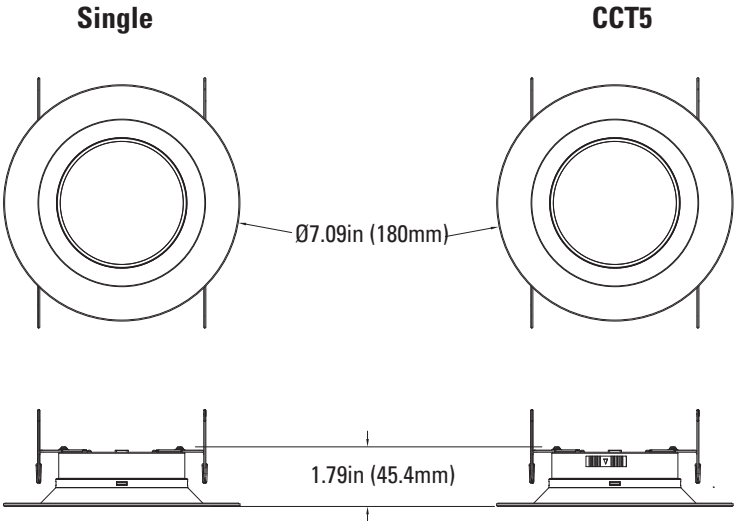
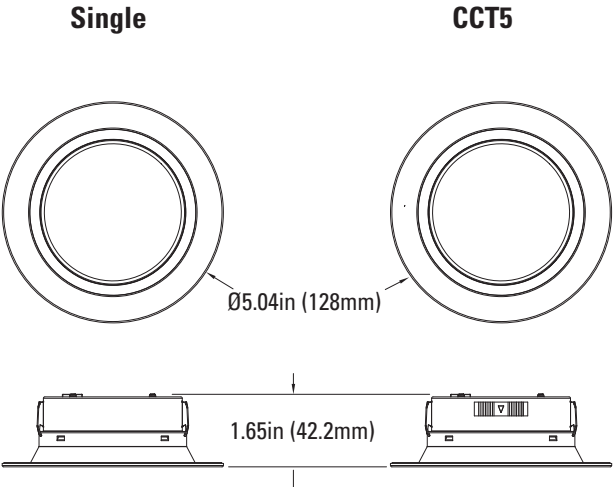
7337 BAEM25-170BC/347-C
(25W Emergency Inverter w/conduit)
*External Installation

7342 BAEM40-170BC/347-C
(40W Emergency Inverter w/conduit)
*External Installation

DIMENSIONS

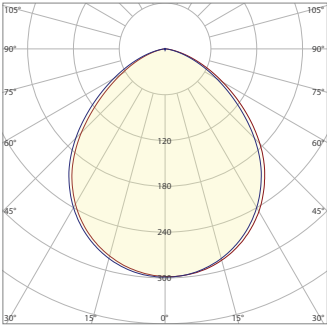
9W (4-inch)
0.31-lbs

12W (5/6-inch)
0.55-lbs



PHOTOMETRICS CHART

9W (4-inch)

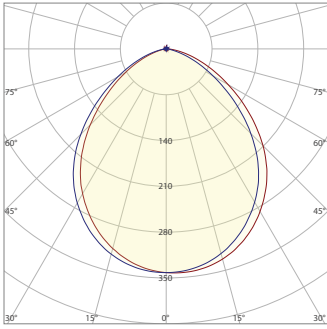


cd C0 - C180
C90 - C270 η = 100%

	Illuminance at a Distance	
	Center Beam fc	Beam Width
1.7R	103 fc	3.7 ft 3.7 ft
3.3R	27.4 fc	7.2 ft 7.2 ft
5.0R	11.9 fc	11.0 ft 10.9 ft
6.7R	6.64 fc	14.7 ft 14.7 ft
8.3R	4.32 fc	18.2 ft 18.2 ft
10.0R	2.98 fc	21.9 ft 21.9 ft

■ Vert. Spread: 95.2°
■ Horiz. Spread: 95.2°

9W (4-inch) CCT5

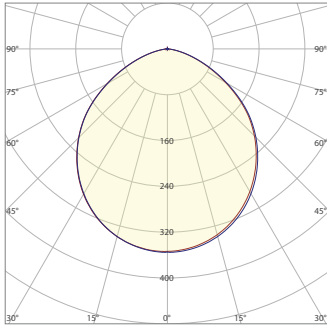


cd C0 - C180
C90 - C270 η = 99.99%

	Illuminance at a Distance	
	Center Beam fc	Beam Width
1.7R	118 fc	3.7 ft 3.6 ft
3.3R	31.4 fc	7.1 ft 7.1 ft
5.0R	13.7 fc	10.8 ft 10.7 ft
6.7R	7.61 fc	14.5 ft 14.4 ft
8.3R	4.96 fc	18.0 ft 17.8 ft
10.0R	3.42 fc	21.6 ft 21.4 ft

■ Vert. Spread: 94.5°
■ Horiz. Spread: 94.0°

12W (5/6-inch)

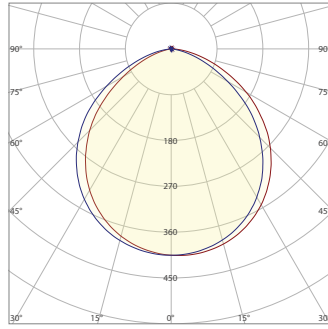


cd C0 - C180
C90 - C270 η = 100%

	Illuminance at a Distance	
	Center Beam fc	Beam Width
1.7R	122 fc	4.3 ft 4.3 ft
3.3R	32.5 fc	8.3 ft 8.4 ft
5.0R	14.1 fc	12.6 ft 12.7 ft
6.7R	7.88 fc	16.9 ft 17.0 ft
8.3R	5.13 fc	20.9 ft 21.1 ft
10.0R	3.54 fc	25.2 ft 25.4 ft

■ Vert. Spread: 103.2°
■ Horiz. Spread: 103.5°

12W (5/6-inch) CCT5



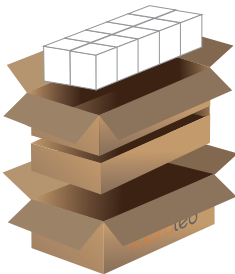
cd C0 - C180
C90 - C270 η = 100%

	Illuminance at a Distance	
	Center Beam fc	Beam Width
1.7R	140 fc	4.3 ft 4.4 ft
3.3R	37.2 fc	8.3 ft 8.5 ft
5.0R	16.2 fc	12.6 ft 12.9 ft
6.7R	9.03 fc	16.9 ft 17.2 ft
8.3R	5.88 fc	21.0 ft 21.3 ft
10.0R	4.05 fc	25.3 ft 25.7 ft

■ Vert. Spread: 103.3°
■ Horiz. Spread: 104.2°

PACKAGE

Case Qty
20 pcs
4-inch



Case Qty
10 pcs
6-inch

