

PROJECT: _____

SCHEDULE: _____ DATE: _____

PREPARE BY: _____

NOTES: _____

PST POST TOP AREA LIGHT Z10

DESCRIPTION

naturaLED® has designed a sleek, contemporary post top fixture with three vertical arm that creates a clean look. Easy installation to retrofit on standard 2-3/8" tenons, 3" Pole. Saving time and money by upgrading to LED. Our DLC premium open round post top light fixture replaces up to 250 watt metal halide fixtures and produces up to 12,000 lumens. The preinstalled Z10 Receptacle allows easy plug-and-play control upgrades during installation or at a later time.



**Rated Life 50,000 Hours
Warranty 5 Years**

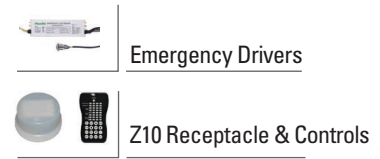
APPLICATIONS

Corporate Campus, Education, Healthcare, Parking Structure, Parks, Hospitalities, Walkways, Commercial office buildings, Landscape lighting may come into use

FEATURES

- DLC Premium
- IP65 Rated
- ETL/cETL Listed
- Selectable Wattages (3 Wattages)
- Selectable Color Temperature (3000K, 4000K, 5000K)
- Z10 Receptacle Pre-installed
- Voltage: 120-277V
- Power Factor >0.9
- Surge Protection: 20KV
- Beam Angle: Type 5
- Dimmable: 0-10V
- CRI: >80
- Operating Temperature: - 40°F - 122°F
- Mounting: Fits 2-3/8" Tenon / Fits 3" Pole
- Die Cast Aluminum
- Color: Black, Bronze, White
- 5 Year Warranty
- Optional Accessories for Purchase: Sensors, Emergency Driver, Surge Protector

ACCESSORIES



SAMPLE NUMBER PST16/60S/T5/8C3/BZ-Z10

SERIES	DIAMETER	WATTAGE	LENS	CRI/COLOR TEMP	COLOR	RECEPTACLE
PST	16	60S	T5	8C3	BZ	Z10
Post Top	16-inch	Selectable Wattage 30/45/60	Type 5	CRI 80 3000/4000/5000K	Bronze	Z10 Control-Ready



POST TOP AREA LIGHT Z10

PARKING & AREA LUMINAIRES

ORDERING

*P= Premium DLC / *S = Standard DLC

Watts (W)	Ordering Code	Description	CCT (K)	Lumens (Lm)	Equiv. Wattage (W)	Dim (V)	IP65 Rated	DLC (S/P)
30	9728	PST16/60S/T5/8C3/BZ-Z10	3CCT	3,600	175	0-10V	•	P
45			(3/4/5K)	5,400				
60				7,200				
60	9729	PST16/100S/T5/8C3/BZ-Z10	3CCT	7,200	250	0-10V	•	P
80			(3/4/5K)	9,600				
100				12,000				
30	9726	PST16/60S/T5/8C3/BK-Z10	3CCT	3,600	175	0-10V	•	P
45			(3/4/5K)	5,400				
60				7,200				
60	9727	PST16/100S/T5/8C3/BK-Z10	3CCT	7,200	250	0-10V	•	P
80			(3/4/5K)	9,600				
100				12,000				
30	9730	PST16/60S/T5/8C3/WH-Z10	3CCT	3,600	175	0-10V	•	P
45			(3/4/5K)	5,400				
60				7,200				
60	9731	PST16/100S/T5/8C3/WH-Z10	3CCT	7,200	250	0-10V	•	P
80			(3/4/5K)	9,600				
100				12,000				

POST TOP AREA LIGHT Z10

PARKING & AREA LUMINAIRES

ACCESSORIES (Ordered Separately)

Motion Sensor/ Photocell & Remote Control



P10520 SEN-ANT-5-Z10-PC
(Z10 Twist-Lock Photocell 12-24Vdc - White)



P10521 SEN-ANT-5-Z10
(Z10 Twist-Lock Microwave Motion and Photocell Sensor, 0-10V, 12-24Vdc - White)



P10522 SEN-ANT-6-Z10
(Z10 Twist-Lock PIR Motion and Photocell Sensor, 0-10V, 12-24Vdc - White)



P10316 SEN-BRI-RC100
(Remote Programmer for P10521/P10522)

Emergency Drivers



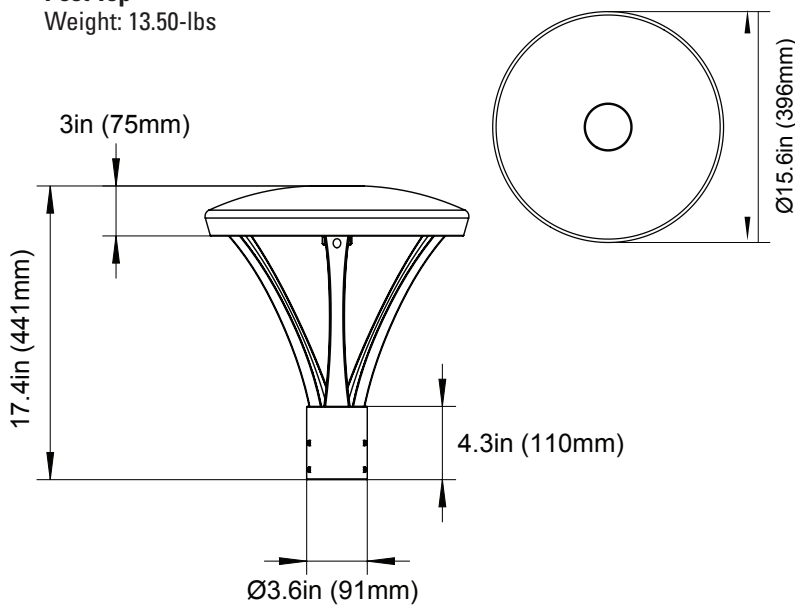
7336 BAEM4-60BC/MV-A
(4W CEC-Compliant LED Emergency Driver 120-277V for 60SW)



7334 BAEM15-48BC/MV-A
(15W CEC-Compliant LED Emergency Driver 120-277V for 100SW)

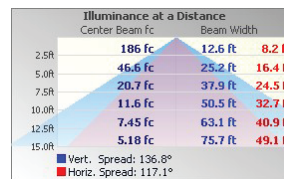
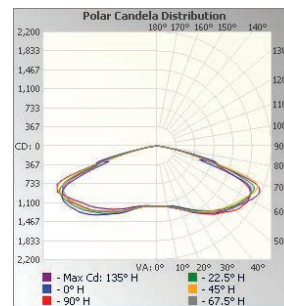
DIMENSIONS

Post Top
Weight: 13.50-lbs

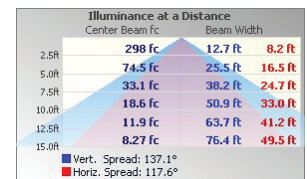
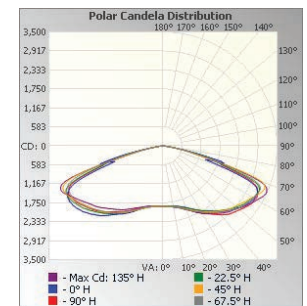


PHOTOMETRICS CHART

30/45/60 Watt
DLC Premium



60/80/100 Watt
DLC Premium



PACKAGE

Case Qty 1 pc

