

**FIL** **FILAMENT**

---

**PROJECT:**

---

**SCHEDULE:** **DATE:**

---

**PREPARE BY:**

---

**NOTES:**

---

**DESCRIPTION**

naturaLED® Filament Lamps replicate the traditional design of incandescent filament bulbs while providing significant energy savings. These lamps contain LED emitters in linear filament style rods that are powered by using a glass insulated circuit, similar to a vintage incandescent light bulbs. The perfect replacement for your existing incandescent light bulbs with 15,000 hours average ratel life and energy savings of up to 70%. naturaLED® offers a full line in A19, G25, and Candelabra lamps that deliver a warm light in 2200K and tinted glass. Designed for decorative residential, retail, hotel boutiques, hospitality, restaurants, and many more applications.



**Rated Life Hours 15,000**  
**Warranty 3 Years**

**APPLICATIONS**

Residential, Decorative, Retail, Restaurant, Hospitality

**FEATURES**

- UL Wet/UL Damp Locations
- Title20/JA8-2016
- Color Temp: Warm light 2200K
- Voltage: 120V
- Power Factor: >0.9
- Dimmable
- CRI: 90
- Operating temperature: -4°F - 104°F
- Instant on / Uniform and consistent color
- Up to 70% energy savings
- Omni-directional
- Direct Replacement traditional incandescent design
- Contains no mercury or lead
- Finish: Tinted Glass
- 3Year Warranty
- 15,000 hrs rated average life

**SAMPLE NUMBER** LED5CAF/FIL/E26/32L/922

STYLE	WATTAGE	SERIES	FAMILY	BASE	LUMENS	CRI/COLOR TEMP
LED	5	CAF	FIL	E26	32L	922
LED Lighting	5 Watt	Candelabra	Filament	E26 Base	320+ Lumens	CRI 90 2200K



# FILAMENT LAMPS

## DECORATIVE LAMPS

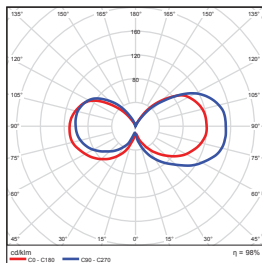
### ORDERING

W=Wet Location / D=Damp Location

Watts (W)	Ordering Code	Description	CCT (K)	Lumens (Lm)	Base	Equiv. Wattage (W)	Wet/Damp Location
5	<b>5941</b>	LED5CAF/FIL/E26/32L/922	2200K	325	E26	40	W
5	<b>5942</b>	LED5G25/FIL/35L/922	2200K	350	E26	40	W
6.5	<b>5994</b>	LED6.5A19/FIL/45L/922	2200K	455	E26	40	D

### PHOTOMETRICS CHART

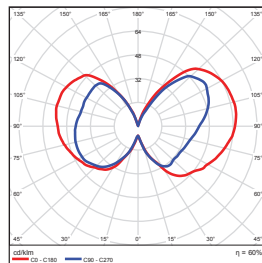
**CAF (5 Watt)**  
E26 Base



Center Beam fc	Beam Width	
	Left	Right
1.7ft	1.74 ft	3.4 ft
3.3ft	0.46 ft	6.6 ft
5.0ft	0.20 ft	10.0 ft
6.7ft	0.11 ft	13.4 ft
8.3ft	0.07 ft	16.6 ft
10.0ft	0.05 ft	20.0 ft

■ Vert. Spread: 90.0°  
■ Horiz. Spread: 46.0°

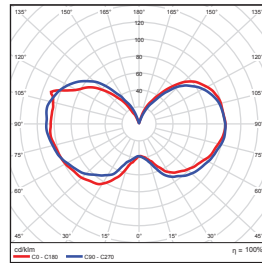
**G (5 Watt)**  
E26 Base



Center Beam fc	Beam Width	
	Left	Right
1.7ft	1.40 ft	5.5 ft
3.3ft	0.37 ft	10.6 ft
5.0ft	0.16 ft	16.1 ft
6.7ft	0.09 ft	21.6 ft
8.3ft	0.06 ft	26.7 ft
10.0ft	0.04 ft	32.2 ft

■ Beam Spread: 116.3°

**A19 (6.5 Watt)**  
E26 Base

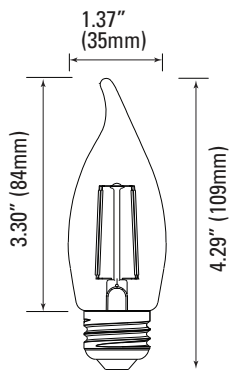


Center Beam fc	Beam Width	
	Left	Right
1.7ft	6.33 ft	1.3 ft
3.3ft	1.68 ft	2.5 ft
5.0ft	0.73 ft	3.8 ft
6.7ft	0.41 ft	5.0 ft
8.3ft	0.27 ft	6.2 ft
10.0ft	0.18 ft	7.5 ft

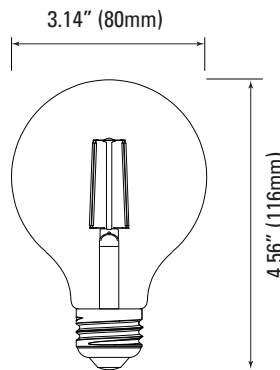
■ Horiz. Spread: 41.2°

### DIMENSIONS

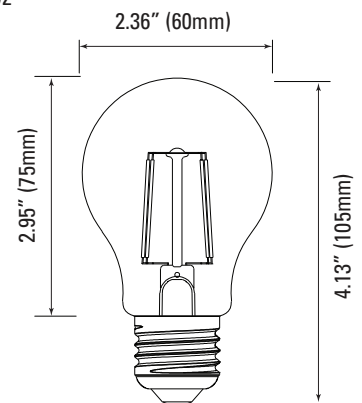
**Candela E26**  
1.90-oz



**G25**  
4.66-oz



**A19**  
4.22-oz



### PACKAGE

Case Qty 10 pcs

