

HBL HIGHBAY LINEAR Z10

DESCRIPTION

The naturaLED® Linear High/Low Bay Light optimizes LED technology with a high-performance, durable fixture that is ideal for warehouses, gymnasiums, schools, factories, and commercial spaces. Its lightweight, compact design is traditionally sized, so it blends seamlessly into facilities with high ceilings. Engineered to operate through a wide range of temperatures. The advanced diffused lens delivers high lumen output with excellent efficacy and minimizes glare for both comfort and productivity. Using the selectable wattage and color features, you can easily customize your lighting options while using fewer SKUs. The pre-installed Z10 Receptacle allows for seamless plug-and-play control upgrades either during installation or later. The naturaLED Linear High/Low Bay Light is an excellent option for new construction or as a replacement for existing high/low bay fixtures. Illuminate your spaces with reliable and efficient fixtures from naturaLED.

APPLICATIONS

Warehouses, Parking Garages, Offices, Factories, Hospitals, Hotels

FEATURES

- DLC Premium
- Damp Location
- ETL/cETL Listed
- Wattage & Color Selectable
- Built-in Bubble Level
- Z10 Receptacle Pre-installed

- Wattage: 90-150W, 150-300W
- Color Temp: Selectable CCT3 (35/40/50K)
- Voltage: 120-277V, 120-347V, 277-480V
- Surge Protection: 6KV
- Dimmable: 0-10V
- Controls: Z10-Compatible Field Install Controls (Motion, Photocell, Bluetooth)
- CRI: >80
- Operating Temperature: -40°F - 122°F
- Beam Angle: 100°
- Lens: Polycarbonate Textured Semi-Diffused Lens
- Material: Die-Formed Steel
- Color: White (Epoxy Resin Coating)
- Mount: Two 3 ft Hanging Chains Included (Optional Yoke and Pendant Mount Available)
- Warranty: 5-Year Limited Warranty
- Optional Accessories for Purchase: Mounts, Controls, Wire Guard, Surge Protector, Emergency Battery Backup LED Driver

PROJECT:

SCHEDULE:

DATE:








PREPARE BY:

NOTES:



Rated Life 50,000 Hours
Warranty 5 Years

ACCESSORIES

-  Emergency Driver
-  Z10 Receptacle & Controls
-  Yoke Mount
-  WireGuard
-  Remote Controller
-  Pendant Mount
-  Surge Protector

SAMPLE NUMBER HBL/150S/22FR/8C3-Z10

SERIES	WATTAGE	LENGTH	LENS	CR/COLOR TEMP	RECEPTACLE
HBL	150S	22	FR	8C3	Z10
High Bay Linear	<150 Selectable Wattage	22-inch	Frosted	CRI 80 Selectable Color Temp	Z10 Included



HIGHBAY LINEAR Z10

CEILING & AREA LUMINAIRES

ORDERING

(P=Premium / S=Standard)

Watts (W)	Ordering Code	Description	CCT (K)	Lumens (Lm)	Equiv. Wattage (W)	Voltage	Damp Location	DLC (P/S)
90	9687	HBL/150S/22FR/8C3-Z10	3CCT	12,150	400-575	120-277	•	P
120			(35/40/50K)	16,200				
150				20,250				
150	9688	HBL/300S/44FR/8C3-Z10	3CCT	20,250	575-1000	120-277	•	P
240			(35/40/50K)	32,400				
300				40,500				
90	9689	HBL/150S/22FR/8C3/347-Z10	3CCT	12,150	400-575	120-347	•	P
120			(35/40/50K)	16,200				
150				20,250				
150	9690	HBL/300S/44FR/8C3/347-Z10	3CCT	20,250	575-1000	120-347	•	P
240			(35/40/50K)	32,400				
300				40,500				
90	9703	HBL/150S/22FR/8C3/480-Z10	3CCT	12,150	400-575	277-480	•	P
120			(35/40/50K)	16,200				
150				20,250				
150	9704	HBL/300S/44FR/8C3/480-Z10	3CCT	20,250	575-1000	277-480	•	P
240			(35/40/50K)	32,400				
300				40,500				

ACCESSORIES (Ordered Separately)

Z10 Receptacle (Included)
P10518 REC-Z10-WH
(Z10 receptacle with white cap)



Z10 Sensors
P10520 SEN-ANT-5-Z10-PC
(Z10 Photocell)



P10521 SEN-ANT-5-Z10
(Z10 Microwave Sensor w/Photocell)



P10522 SEN-ANT-6-Z10
(Z10 PIR Sensor w/Photocell)



Remote Programmer
P10316 SEN-BRI-RC100
(Remote Programmer for P10521, P10522)



Yoke Mount
P10092 MT-YK-HBL22
(Yoke Mount for 2-ft Linear High Bay)

P10093 MT-YK-HBL44
(Yoke Mount for 4-ft Linear High Bay)



Emergency Driver
7341 BAEM20-260BC/347-A
(20W 90-260Vdc LED Emergency Driver 120-347V)



7342 BAEM40-170BC/347-C
(40W Emergency Battery Back up Inverter 120-347V)



Wireguard
P10576 WG-HBL22/WH-G1
(Wireguard for 22" HBL)

P10577 WG-HBL44/WH-G1
(Wireguard for 44" HBL)



Pendant Mount (1/2" & 3/4" NPT)
P10578 ADP-PM-HBL/WH-G1
(1/2" and 3/4" NPT Pendant Mount)



Surge Protector
P10389 SPD-L-10KV-277
(Single Phase Surge Protection 10KV 120-277V)



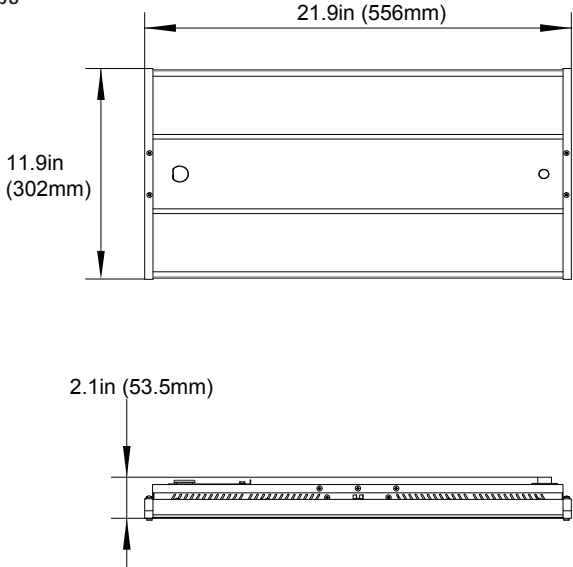
P10390 SPD-L-20KV-277
(Single Phase Surge Protection 20KV 120-277V)



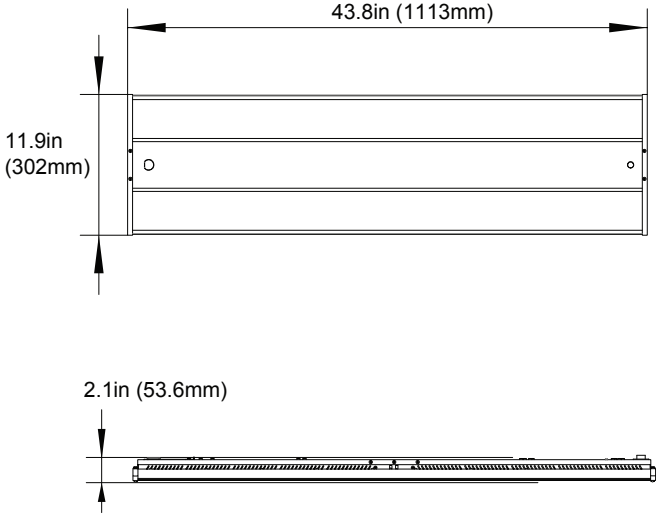
P10391 SPD-L-20KV-480
(Single Phase Surge Protection 20KV 347-480V)

DIMENSIONS

12" x 22"
5.51-lbs

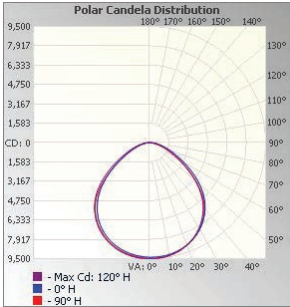


12" x 44"
12.12-lbs



PHOTOMETRICS CHART

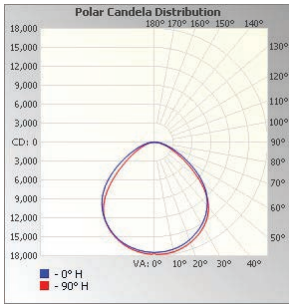
12" x 22"



Center Beam fc	Beam Width	
3.3R	861 fc	8.3 ft 8.1 ft
6.7R	209 fc	16.8 ft 16.4 ft
10.0R	93.8 fc	25.1 ft 24.5 ft
13.3R	53.0 fc	33.4 ft 32.6 ft
16.7R	33.6 fc	42.0 ft 40.9 ft
20.0R	23.4 fc	50.3 ft 49.0 ft

Vert. Spread: 103.0°
Horiz. Spread: 101.5°

12" x 44"



Center Beam fc	Beam Width	
3.3R	1,609 fc	8.6 ft 7.7 ft
6.7R	390 fc	17.4 ft 15.6 ft
10.0R	175 fc	26.0 ft 23.3 ft
13.3R	99.1 fc	34.6 ft 31.0 ft
16.7R	62.8 fc	43.4 ft 39.0 ft
20.0R	43.8 fc	52.0 ft 46.7 ft

Vert. Spread: 104.9°
Horiz. Spread: 98.8°

PACKAGE

Case Qty 2 pcs per pack

