

PROJECT: _____

SCHEDULE: _____ DATE: _____

PREPARE BY: _____

NOTES: _____

FMC FLUSH MOUNT COMPACT (CCT5)

DESCRIPTION

Upgrade your lighting with naturaLED® Compact Flush Mounts (FMC), the perfect replacement for traditional fluorescent and incandescent wall and ceiling fixtures. Designed for quick installation, the FMC series is fully dimmable, wet-location rated, and features 5-CCT selectable color temperatures (2700K, 3000K, 3500K, 4000K, and 5000K) to perfectly suit any environment. These versatile fixtures are ideal for residential, commercial, and hospitality spaces, including bathrooms, closets, hallways, and stairwells. Available in 4" and 7" sizes, also offer an option with integrated motion sensor to maximize convenience and energy efficiency.



**Rated Life 35,000 Hours
Warranty 3 Years**

APPLICATIONS

Bathroom, Decoration, Hallway, Bedroom, Ceiling Mount

FEATURES

- ETL Listed
- Wet Location
- Color Temp Selectable
- Color Temp: 5CCT (27/30/35/40/50K)
- Voltage: 120V
- Powerfactor >0.9
- Surge Protection: 2.5KV
- Beam Angle: 110°
- Dimmable: Triac
- CRI: >90
- Operating temperature: - 4°F - 104°F
- Uniform light distribution and consistent color
- Recommended ceiling height: 8~10ft
- Sizes: 4" or 7"
- Sensor Options Available
- Color: White
- 3 Year Warranty

SAMPLE NUMBER LED4FMC-65L9CCT5-SEN

STYLE	DIAMETER	SERIES	LUMEN	CRI/COLOR TEMP	ACCESSORY
LED	4	FMC	65L	9CCT5	SEN
LED Lighting	4 inch	Flush Mount Compact	650 Lumens	CRI 90 CCT (27/30/35/40/50K)	Sensor Included



FLUSH MOUNT COMPACT (CCT5)

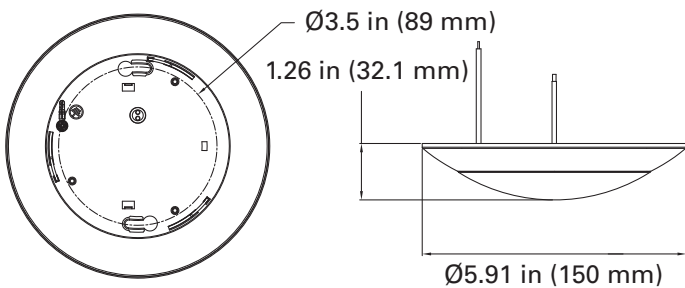
CEILING & AREA LUMINAIRES

ORDERING

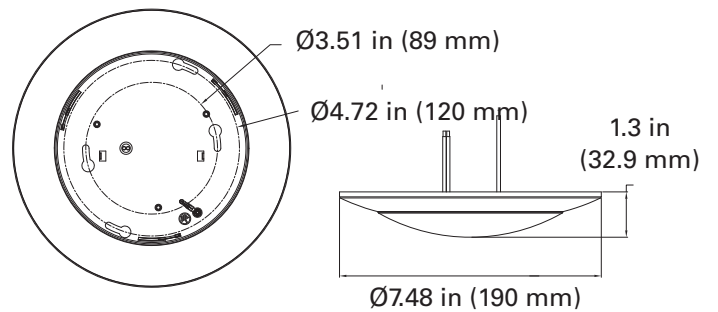
Ordering Code	Description	Watts (W)	Lumens (Lm)	CCT (K)	Equiv. Wattage (W)	Diameter	Beam Angle	Wet Location
9766	LED4FMC-65L9CCT5	9	650	5CCT (27/30/35/ 40/50K)	75W	4"	110°	•
9768	LED7FMC-105L9CCT5	15	1,050	5CCT (27/30/35/ 40/50K)	120W	7"	110°	•
9767	LED4FMC-65L9CCT5-SEN	9	650	5CCT (27/30/35/ 40/50K)	75W	4" w/ sensor	110°	•
9769	LED7FMC-105L9CCT5-SEN	15	1,050	5CCT (27/30/35/ 40/50K)	120W	7" w/ sensor	110°	•

DIMENSIONS

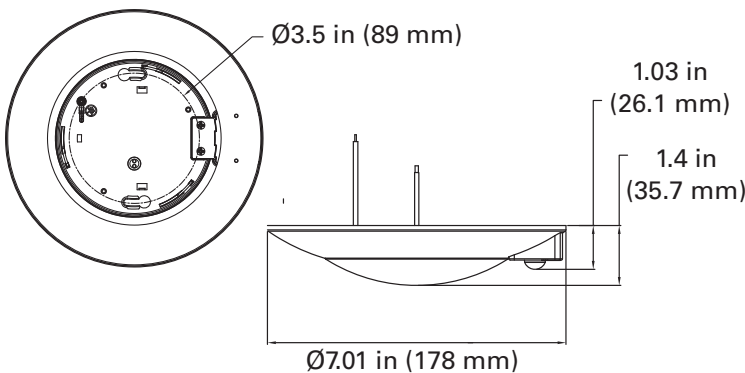
9W (4")



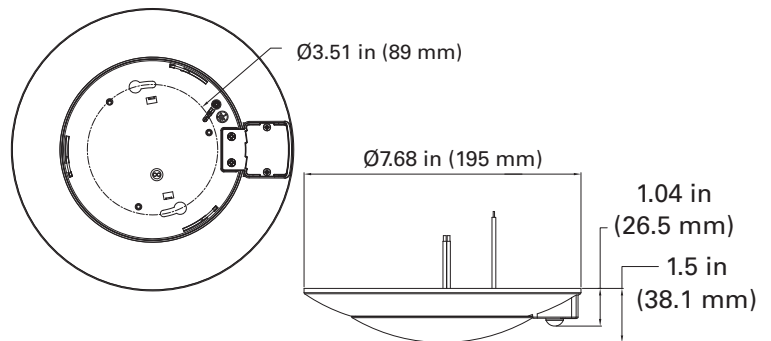
15W (7")



9W (4" w/sensor)

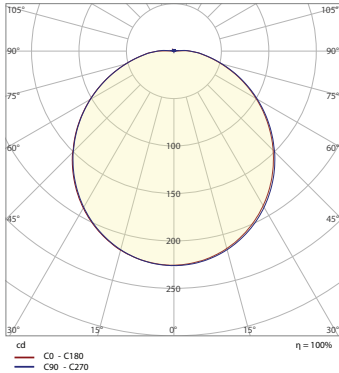


15W (7" w/sensor)



PHOTOMETRICS

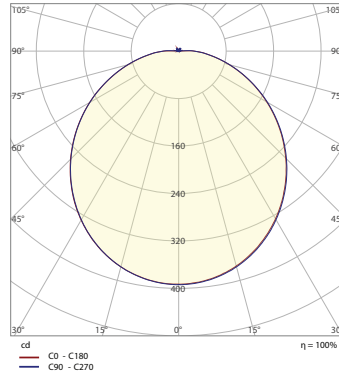
9W (4")



Center Beam fc	Beam Width	
	Center Beam fc	Beam Width
1.3ft	134 fc	3.9 ft 3.9 ft
2.7ft	31.1 fc	8.0 ft 8.1 ft
4.0ft	14.2 fc	11.8 ft 12.0 ft
5.3ft	8.06 fc	15.7 ft 15.8 ft
6.7ft	5.04 fc	19.8 ft 20.0 ft
8.0ft	3.54 fc	23.7 ft 23.9 ft

■ Vert. Spread: 111.9°
■ Horiz. Spread: 112.4°

15W (7")



Center Beam fc	Beam Width	
	Center Beam fc	Beam Width
1.3ft	216 fc	4.0 ft 4.0 ft
2.7ft	50.1 fc	8.3 ft 8.4 ft
4.0ft	22.8 fc	12.3 ft 12.4 ft
5.3ft	13.0 fc	16.3 ft 16.4 ft
6.7ft	8.13 fc	20.7 ft 20.8 ft
8.0ft	5.70 fc	24.7 ft 24.8 ft

■ Vert. Spread: 114.0°
■ Horiz. Spread: 114.4°

PACKAGE

	Master Carton (pc)	Dimensions (in)	Weight (lb)
4"	20	15.55"x12.79"x6.69"	9.90
7"	10	15.94"x8.07"x8.27	6.95
4"Sensor	20	16.73"x15"x7.87"	12.75
7"Sensor	10	16.34"x6.06"x8.46"	7.70

