

**EX/ EL EDGE-LIT EXIT SIGN**

PROJECT: \_\_\_\_\_

SCHEDULE: \_\_\_\_\_ DATE: \_\_\_\_\_

PREPARE BY: \_\_\_\_\_

NOTES: \_\_\_\_\_

**DESCRIPTION**

naturaLED Bi-Color Emergency Exit Signs feature a durable, injection-molded thermoplastic ABS housing with a UL 94V-0 flame rating. Operating on a versatile 120-277V range with an efficient 1W power consumption, these UL Listed fixtures offer bi-color flexibility in both red and green. Designed for reliable performance in 32°F to 104°F environments, they include long-lasting LED technology, an integrated test switch, and a charge indicator light for easy maintenance, all backed by a 2-year warranty.

**APPLICATIONS**

Emergency Exit, Emergency Lighting



**Rated Life 50,000 Hours  
Warranty 2 Years**

**FEATURES**

- UL924 Listed
- IP22 Rated (Indoor only)
- Voltage:120/277V
- Battery: Ni-Cad 3.6V 1000mAh
- Adjustable heads / 1.2W Per head (Dual Head)
- Operating Temperature: 32°F ~ 104°F
- Injection-molded thermoplastic ABS housing, UL 94V-0 flame rating
- Innovation, easy installation
- Suitable for wall mount & ceiling mount (Dual Head)
- Suitable for wall mount & J-Box ceiling mount, Single or double faces (for Both Emergency Exit Signs)
- Maximum 24 hours for full recharge time
- Test switch and charge indicator
- Warranty: 2-Year Limited Warranty
- Rated Life Hours: 50,000

**ACCESSORIES**



SAMPLE NUMBER		LEDEX-GRN/RED-WH	
STYLE	TYPE	COLORS	HOUSING COLOR
LED LED Lighting	EX Emergency Exit Sign	GRN/RED Green/ Red	WH White



# EMERGENCY EXIT SIGN & LIGHT

WALL LUMINAIRES

## ORDERING

Watts (W)	Ordering Code	Description	Lumens	Voltage	Input Current (A)	Built-in Battery	Charing Time	Emergency Run Time
1	9825	LEDEX-EL/SM-GRN/RED-WH	0	120/277V	0.035A(max)	0	0-hrs	0-min

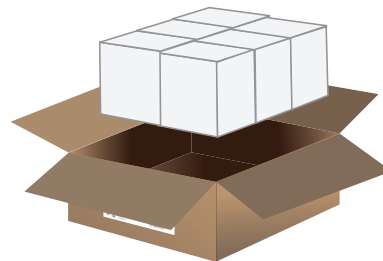
## ACCESSORIES



**P10688 MT-TBAR-LEDEX-EL/SM**  
Tbar mount for LEDEX-EL/SM

## PACKAGE

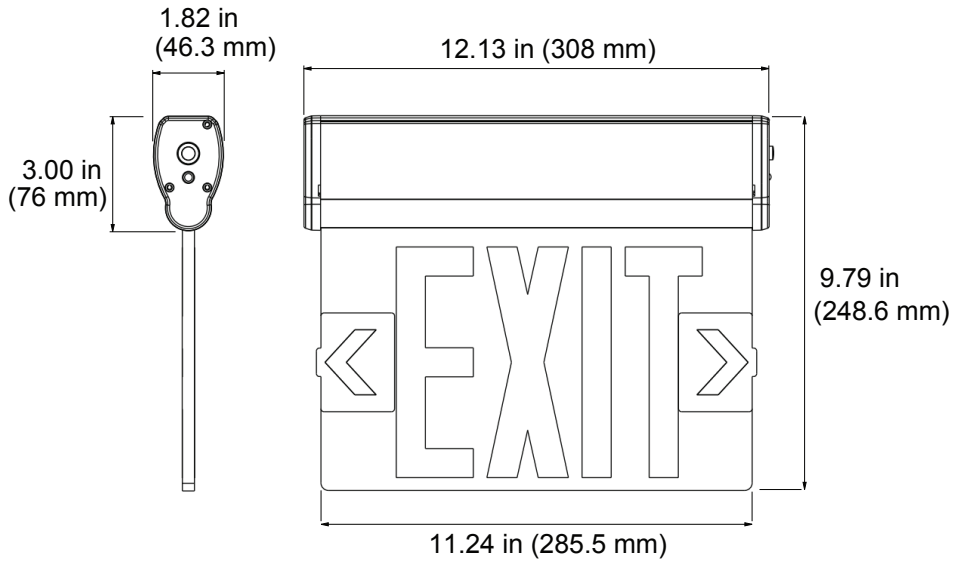
Master Carton (pc)	Dimensions (in)	Weight (lb)
6	14.96 x 13.11 x 8.86"	16.53



**DIMENSIONS**

**2W (EX)**

Weight: 1.76-lbs



**1W (EX)**

Weight: 1.76-lbs

