

DLR/DLS SLIM DISK LIGHT CCT5

PROJECT: _____

SCHEDULE: _____ DATE: _____

PREPARE BY: _____

NOTES: _____

DESCRIPTION

Discover our highly durable, ultra-low profile LED downlight, expertly crafted from die-cast aluminum with a sleek matte white flange. Designed for maximum versatility, this slim, dimmable fixture delivers over 900 lumens of bright, even illumination through a high-impact diffused lens. Customize your space with five selectable color temperatures (2700K, 3000K, 3500K, 4000K, and 5000K) and enjoy exceptional color accuracy with a 90 CRI. Available in 4-inch and 6-inch trims in both round and square profiles, this Energy Star-certified light is also rated for wet locations, making it the perfect solution for any room.



APPLICATIONS

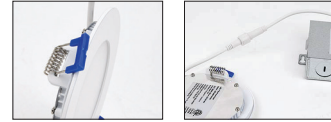
Kitchen, decoration, hallway, bedroom, ceiling mount lighting

FEATURES

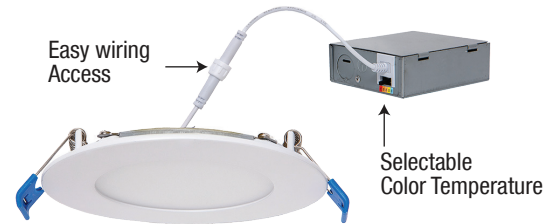
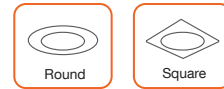
- Energy Star Certified
 - ETL Listed
 - IC Rated
 - Wet Location
 - JA8/Title24
 - CCT Selectable
-
- CCT5 (2700K, 3000K, 3500K, 4000K, 5000K) / Single (3000K)
 - Voltage: 120V
 - Power Factor: >0.9
 - Beam Angle: 110°
 - Dimmable
 - CRI: >90
 - Operating temperature: 5°F~104°F
 - Surge Protection: 2.5KV
 - Ultra slim design for dry wall (no recessed can needed)
 - 4" / 6" round / square
 - Recommended ceiling height at 9-10ft
 - 5 Year Limited Warranty

EASY INSTALLATION

Snap-in mounting springs and easy wiring access for quick installation



STYLES



SAMPLE NUMBER LED4DLR-66L9CCT5

STYLE	DIAMETER	SERIES	LUMENS	CRI	COLOR TEMP
LED	4	DLR	66L	9	CCT5
LED Lighting	4 inch	Slim Disk Light Round	660+	CRI 90	Selectable Color Temperature (2700K,3000K,3500K, 4000K, 5000K)
		DLS			
		Slim Disk Light Square			



ORDERING

Watts (W)	Ordering Code	Description	CCT (K)	Lumens (Lm)	Size	Equiv. Wattage (W)	Wet Location	Energy Star
10	9774	LED4DLR-66L930	3000K	660	4" Round	60	•	
8	9776	LED4DLR-66L9CCT5	CCT5 (27/30/35/40/50K)	660	4" Round	60	•	•
13	9775	LED6DLR-100L930	3000K	1,000	6" Round	90	•	
12	9777	LED6DLR-100L9CCT5	CCT5 (27/30/35/40/50K)	1,000	6" Round	90	•	•
8	9778	LED4DLS-66L9CCT5	CCT5 (27/30/35/40/50K)	660	4" Square	60	•	•
12	9779	LED6DLS-100L9CCT5	CCT5 (27/30/35/40/50K)	1,000	6" Square	90	•	•

ACCESSORIES (Ordered Separately)

Emergency Inverter

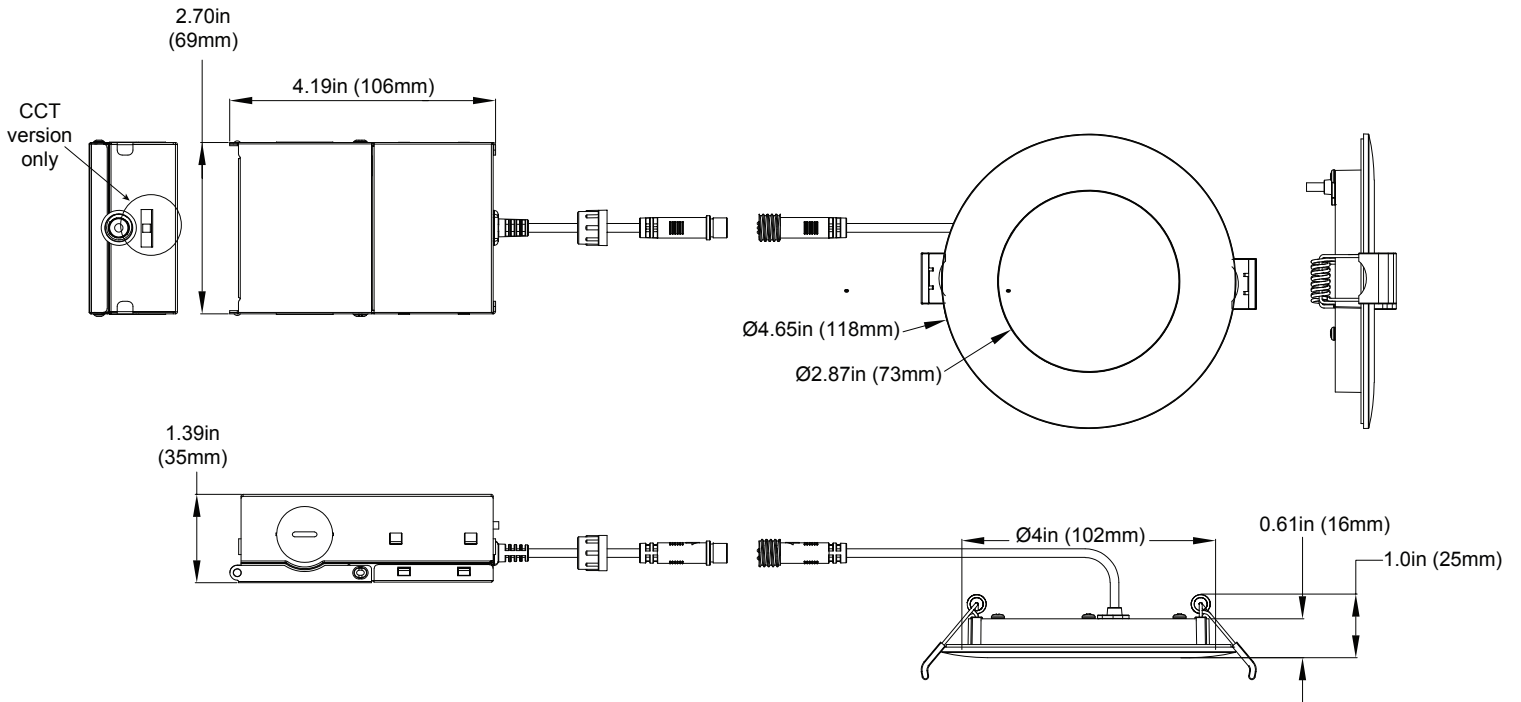


7337 BAEM25-170BC/347-C
25W Emergency Inverter 120-347V

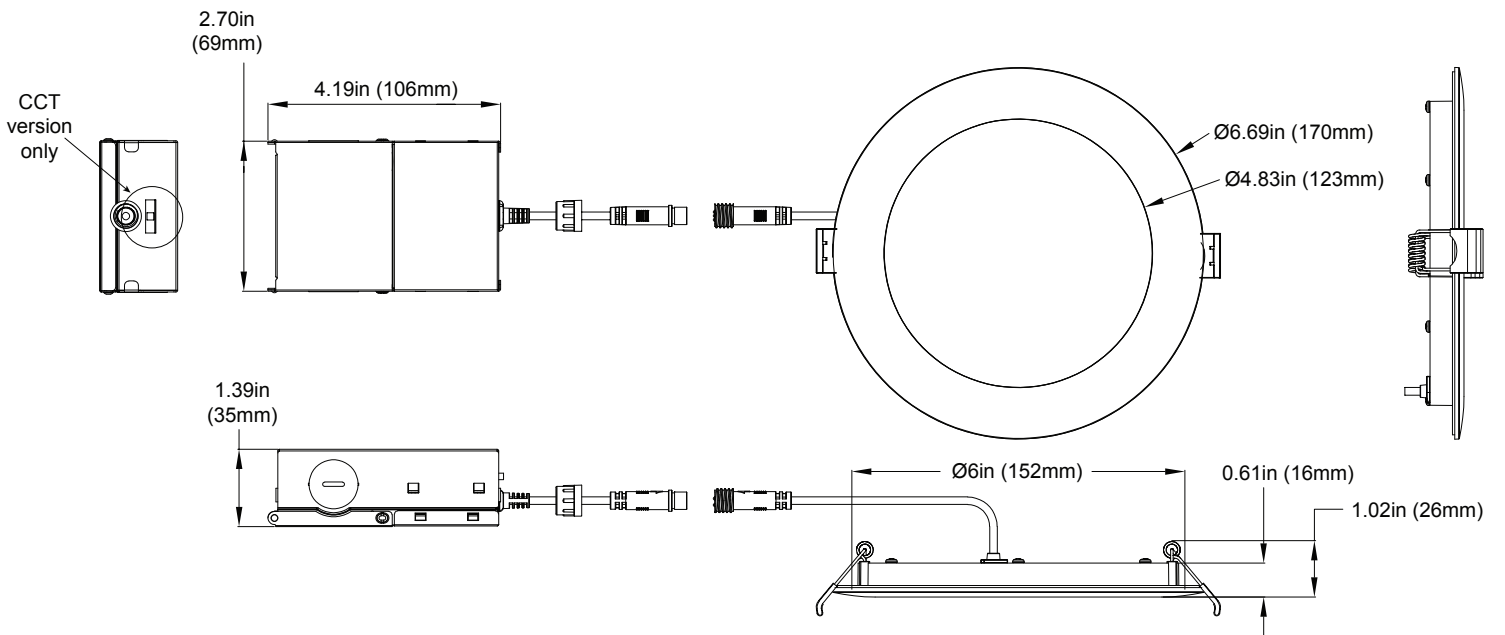
7342 BAEM40-170BC/347-C
40W Emergency Inverter 120-347V

DIMENSIONS

4"- Round / 0.90-lbs

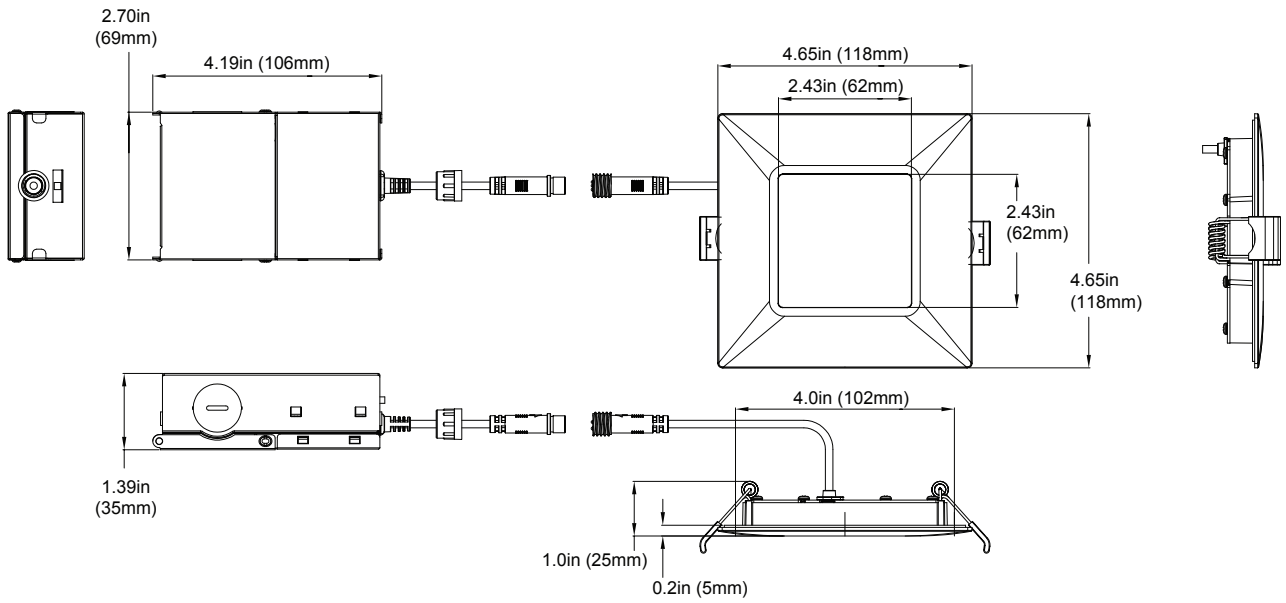


6"- Round / 1.21-lbs

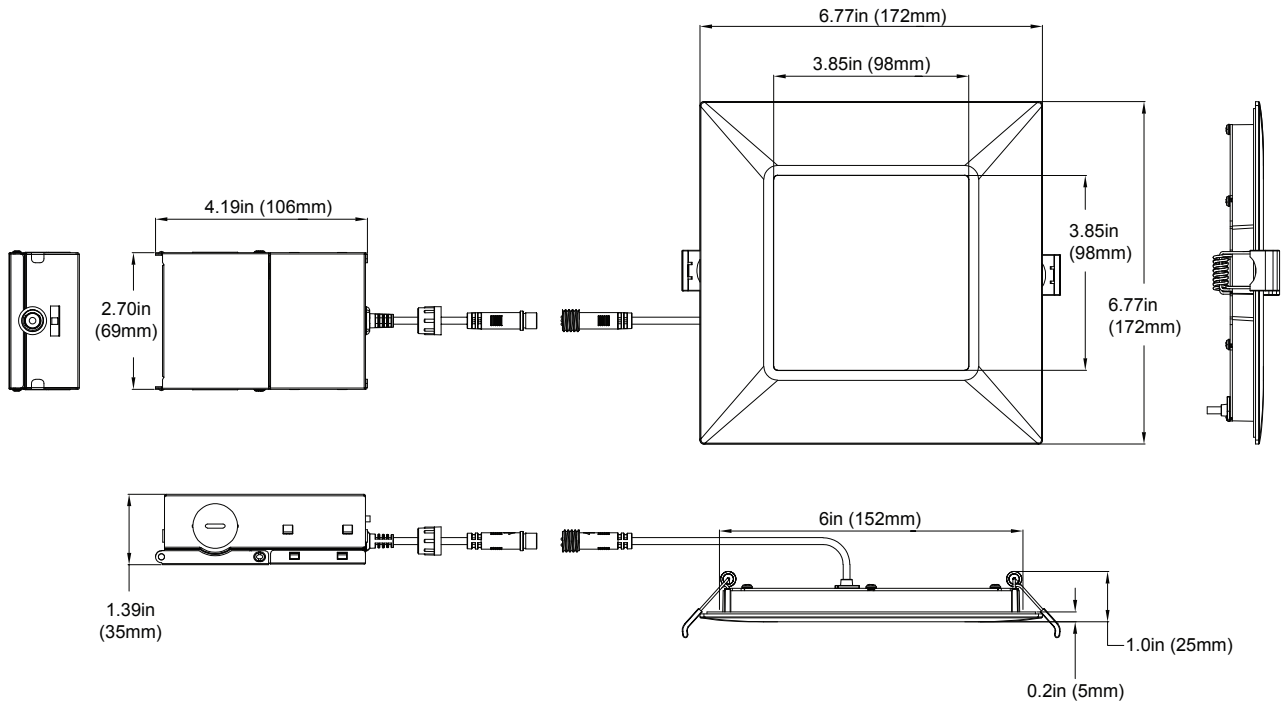


DIMENSIONS

4"- Square / 0.90-lbs

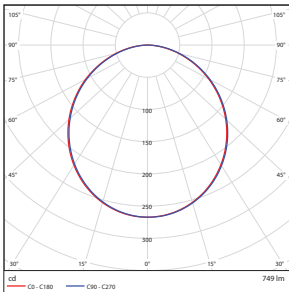


6"- Round / 1.21-lbs



PHOTOMETRICS CHART

4-inch Round

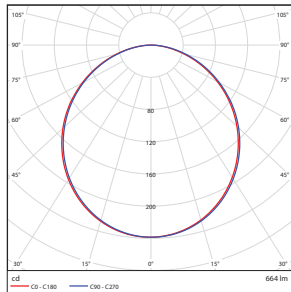


Illuminance at a Distance

Center Beam fc	Beam Width
1.7R 92.4 fc	4.9 ft 4.9 ft
3.3R 24.5 fc	9.5 ft 9.5 ft
5.0R 10.7 fc	14.4 ft 14.3 ft
6.7R 5.95 fc	19.2 ft 19.2 ft
8.3R 3.88 fc	23.8 ft 23.8 ft
10.0R 2.67 fc	28.7 ft 28.7 ft

■ Vert. Spread: 110.3°
■ Horiz. Spread: 110.3°

4-inch Square

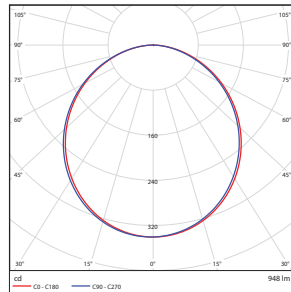


Illuminance at a Distance

Center Beam fc	Beam Width
1.7R 82.6 fc	4.8 ft 4.8 ft
3.3R 21.9 fc	9.4 ft 9.4 ft
5.0R 9.54 fc	14.2 ft 14.3 ft
6.7R 5.31 fc	19.1 ft 19.1 ft
8.3R 3.46 fc	23.6 ft 23.7 ft
10.0R 2.39 fc	28.5 ft 28.5 ft

■ Vert. Spread: 109.8°
■ Horiz. Spread: 109.9°

6-inch Round

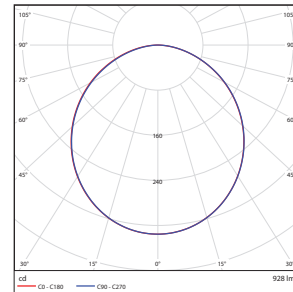


Illuminance at a Distance

Center Beam fc	Beam Width
1.7R 118 fc	4.8 ft 4.8 ft
3.3R 31.3 fc	9.4 ft 9.3 ft
5.0R 13.6 fc	14.2 ft 14.2 ft
6.7R 7.58 fc	19.0 ft 19.0 ft
8.3R 4.94 fc	23.6 ft 23.5 ft
10.0R 3.40 fc	28.4 ft 28.3 ft

■ Vert. Spread: 109.7°
■ Horiz. Spread: 109.5°

6-inch Square



Illuminance at a Distance

Center Beam fc	Beam Width
1.7R 116 fc	4.8 ft 4.8 ft
3.3R 30.8 fc	9.3 ft 9.3 ft
5.0R 13.4 fc	14.1 ft 14.1 ft
6.7R 7.47 fc	18.9 ft 18.8 ft
8.3R 4.87 fc	23.4 ft 23.3 ft
10.0R 3.35 fc	28.2 ft 28.1 ft

■ Vert. Spread: 109.3°
■ Horiz. Spread: 109.2°

PACKAGE

Case Qty 20 pcs

