

PROJECT: _____

SCHEDULE: _____ DATE: _____

PREPARE BY: _____

NOTES: _____

CWP Cutoff Wall Pack CCT3

DESCRIPTION

The naturaLED® cut-off wall pack features a rugged cast-aluminum housing for superior thermal management and durability. With a sleek, angled design, it delivers up to 16,776 lumens in wattages ranging from 40W to 120W, including a selectable version for adjustable illumination. Replacing 750W metal halide luminaires, it cuts energy use by up to 72%. Ideal for outdoor spaces like carports, driveways, and pathways, it is best wall-mounted at least four feet above the ground for optimal performance.



APPLICATIONS

Security, Pathway, Perimeter, Entryway, Area Lighting, and Building Facades



Rated Life Hours 50,000
Warranty 5 Years

FEATURES

- DLC Premium
- IP65 Rated
- UL/cUL Listed
- Wattage & Color Selectable
- Wattage: 28~60W, 80~120W, 40W, 60W, 80W, 120W
- Color Temp: CCT3 (30/40/50K), 4000K, 5000K
- Voltage: 120-277V
- Surge Protection: 4KV (40~60W), 6KV (80~120W)
- Dimmable: 0-10V
- CRI: >70
- Operating Temperature: -40°F to 122°F
- Beam Angle: Cut-Off
- Excellent Thermal Design
- Lens: Polycarbonate Lens
- Material: Die Cast Aluminum
- Color: Bronze
- Optional Accessories for Purchase: Microwave Sensor, Emergency Driver, Remote Programmer
- Warranty: 5-Year Limited Warranty

ACCESSORIES

	Microwave Sensor Kit
	Emergency Backup Driver
	Remote Control

SAMPLE NUMBER		FXCWP60SW/CCT3/BZ-PHO		
SERIES	WATTAGE	COLOR TEMP	COLOR	ACCESSORY
CWP Cut-Off Wall Pack	60SW <60 Selectable Wattages	CCT3 3CCT(3000/4000/5000K)	BZ Bronze	PHO Photocell Included



CUTOFF WALL PACK CCT3

WALL & AREA LUMINAIRES

ORDERING

*P= Premium DLC / *S = Standard DLC

Ordering Code	Description	Watts (W)	Lumens (Lm)	CCT (K)	Equiv. Wattage (W)	Voltage	Color	IP65 Rated	DLC (S/P)
9553	FXCWP60SW/CCT3/BZ-PHO	28	3,780	3CCT	100-400W	120-277V	Bronze	•	P
		40	5,400	(30/40/50K)					
		60	8,176						
9554	FXCWP120SW/CCT3/BZ-PHO	80	10,388	3CCT	575-750W	120-277V	Bronze	•	P
		100	12,985	(30/40/50K)					
		126	16,464						
9444	LED-FXCWP80/50K/BZ	83	11,193	5000K	400-575W	120-277V	Bronze	•	P
9445	LED-FXCWP120/40K/BZ	121	16,525	4000K	575-750W				

ACCESSORIES



Emergency Driver

7334 BAEM15-48BC/MV-A
(15W CEC Compliant LED Emergency Driver for #9553)

7341 BAEM20-260BC/347-A
(20W CEC Compliant LED Emergency Driver for #9554, #9444, #9445)



Microwave Sensor

K540380 SEN-ANT-11-WH/BA12V
(Microwave Sensor Kit 0-10V for #9553,#9444,#9445)



P10540 SEN-ANT-11-WH
(Remote Programmable Microwave Motion Sensor 0-10V Bi-Level Internal 12V Low Voltage for #9554)



P10316 SEN-BRI-RC100
(Remote Programmer for P10540)

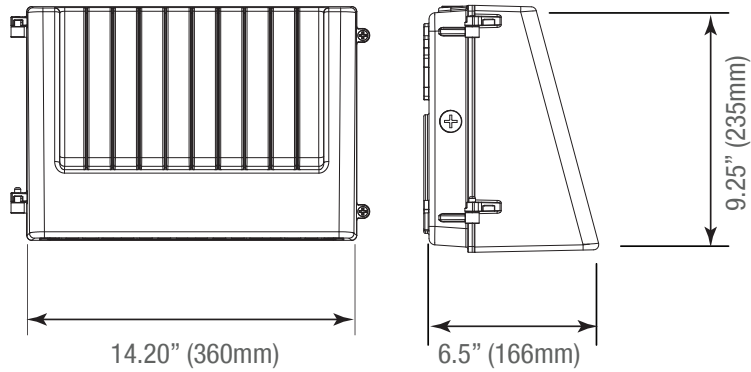
9.4in (240mm)

CUTOFF WALL PACK CCT3

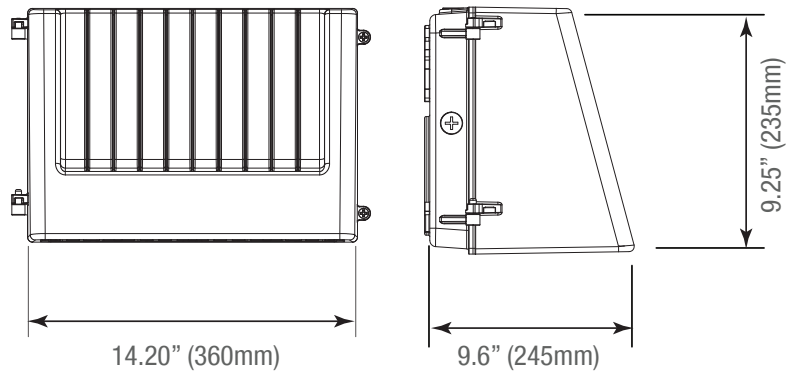
WALL & AREA LUMINAIRES

DIMENSIONS

28/40/60 S/Wattage
80 Watt
7.05-lbs

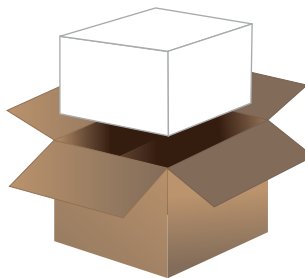


80/100/120 S/Wattage
120 Watt
10.56-lbs



PACKAGE

	Master Carton (pc)	Dimensions (in)	Weight (lb)
60 S/W	1	16.14"x12.20"x9.45"	8.82
120S/W	1	16.14"x12.20"x12.40"	13
80W	1	16.14"x12.20"x9.45"	9.48
120W	1	16.14"x12.20"x12.40"	13



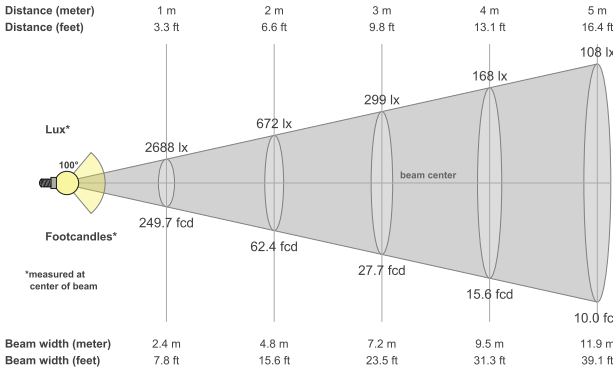
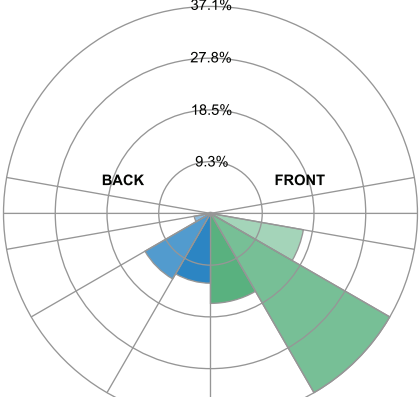
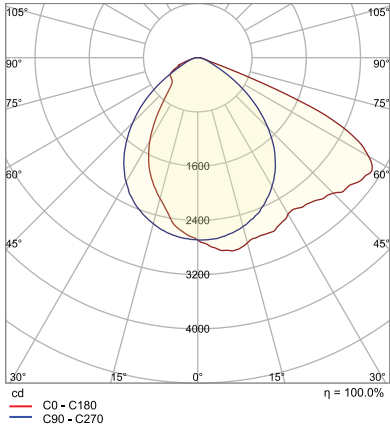
CUTOFF WALL PACK CCT3

WALL & AREA LUMINAIRES

PHOTOMETRICS

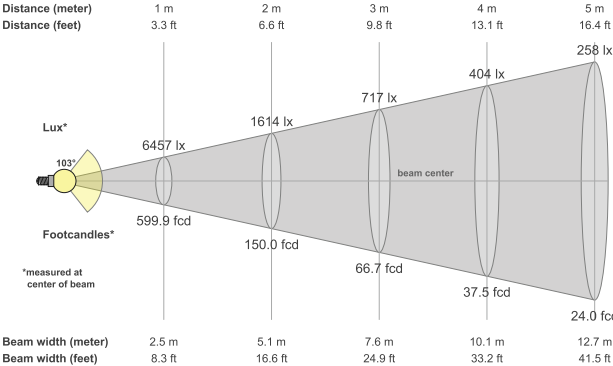
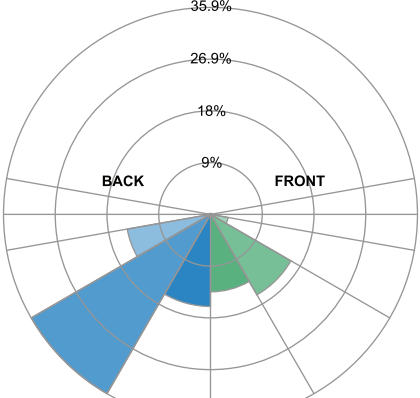
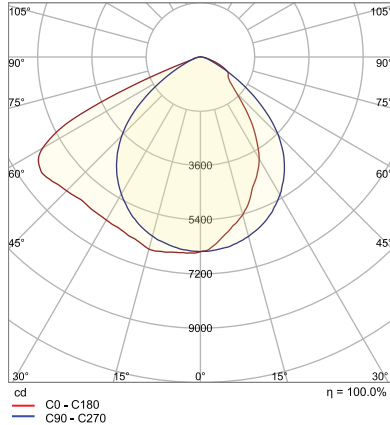
60 S/ Wattage

BUG rating B2 U0 G1



120 S/ Wattage

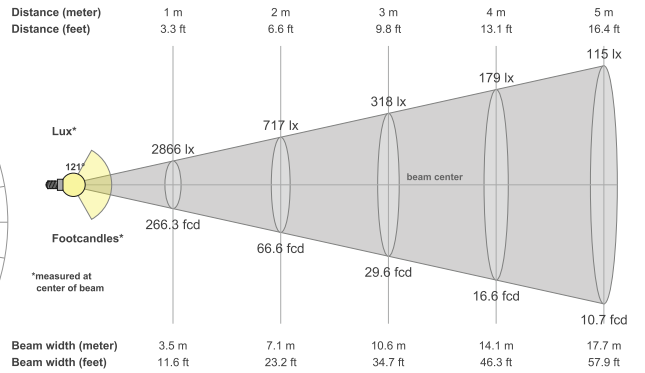
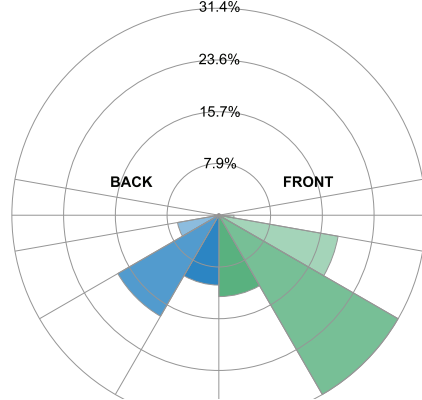
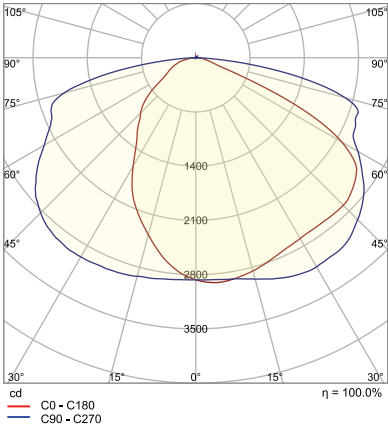
BUG rating B4 U0 G3



PHOTOMETRICS

80 Watt

BUG rating B3 U2 G3



120 Watt

BUG rating B3 U2 G3

