

PROJECT:

SCHEDULE:

DATE:

PREPARE BY:

NOTES:

CWP

Cutoff Wall Pack 8C3 - Beam Angle Selectable

DESCRIPTION

The naturaLED® cut-off wall pack features a rugged cast-aluminum housing designed for superior thermal management and long-lasting durability. Its sleek design incorporates angle selection and CCT3 selectable color temperatures, allowing for easy on-site adjustment of light distribution and appearance. Delivering up to 14,000 lumens with wattages ranging from 25W to 100W, this wall pack offers flexible performance for a wide range of applications. Capable of replacing up to 500W metal halide luminaires, it reduces energy consumption by up to 70%. Ideal for outdoor environments such as carports, driveways, and pathways, it performs best when wall-mounted at least four feet above ground level and is available in bronze, black, and white finishes.

APPLICATIONS

Security, Pathway, Perimeter, Entryway, Area Lighting, and Building Facades

FEATURES

- DLC Premium
- UL/cUL Listed
- IP65 Rated
- IK08 Rated
- Wattage & Color Selectable
- Beam Angle Selectable
- Photocell On/Off
- Wattage: 25~40W, 60~100W
- Color Temp: CCT3 (30/40/50K)
- Voltage: 120-277V
- Surge Protection: 4KV
- Dimmable: 0-10V
- CRI: >80
- Operating Temperature: -40°F to 122°F
- Beam Angle Selectable: Short/Medium/Long
- Excellent Thermal Design
- Material: Die Cast Aluminum
- Color: Bronze, Black, White
- Pre-installed AUX receptacle ready
- Optional Accessories for Purchase: Motion Sensor
- Warranty: 5-Year Limited Warranty



Rated Life Hours 50,000
Warranty 5 Years

ACCESSORIES



Motion Sensor AUX



SELECTABLE OPTIONS



SAMPLE NUMBER

CWP40S/BS/8C3/BZ-PHO

SERIES	WATTAGE	BEAM ANGLE	CCT	COLOR	ACCESSORY
CWP Cut-Off Wall Pack	40S <40W Selectable	BS Beam Angle Selectable	8C3 CRI 80 CCT3 (30/40/50K)	BZ Bronze	PHO Photocell Included



CUTOFF WALL PACK 8C3

WALL & AREA LUMINAIRES

ORDERING

*P= Premium DLC / *S = Standard DLC

Ordering Code	Description	Watts (W)	Lumens (Lm)	CCT (K)	Equiv. Wattage (W)	Voltage	Color	IP65 Rated	DLC (S/P)
9818	CWP40S/BS/8C3/BZ-PHO	25	3,500	3CCT	125	120-277V	Bronze	•	P
		30	4,200	(30/40/50K)	150				
		40	5,600		200				
9820	CWP40S/BS/8C3/BK-PHO	25	3,500	3CCT	125	120-277V	Black	•	P
		30	4,200	(30/40/50K)	150				
		40	5,600		200				
9819	CWP40S/BS/8C3/WH-PHO	25	3,500	3CCT	125	120-277V	White	•	P
		30	4,200	(30/40/50K)	150				
		40	5,600		200				
9821	CWP100S/BS/8C3/BZ-PHO	60	8,400	3CCT	300	120-277V	Bronze	•	P
		80	11,200	(30/40/50K)	400				
		100	14,000		500				
9823	CWP100S/BS/8C3/BK-PHO	60	8,400	3CCT	300	120-277V	Black	•	P
		80	11,200	(30/40/50K)	400				
		100	14,000		500				
9822	CWP100S/BS/8C3/WH-PHO	60	8,400	3CCT	300	120-277V	White	•	P
		80	11,200	(30/40/50K)	400				
		100	14,000		500				

ACCESSORIES

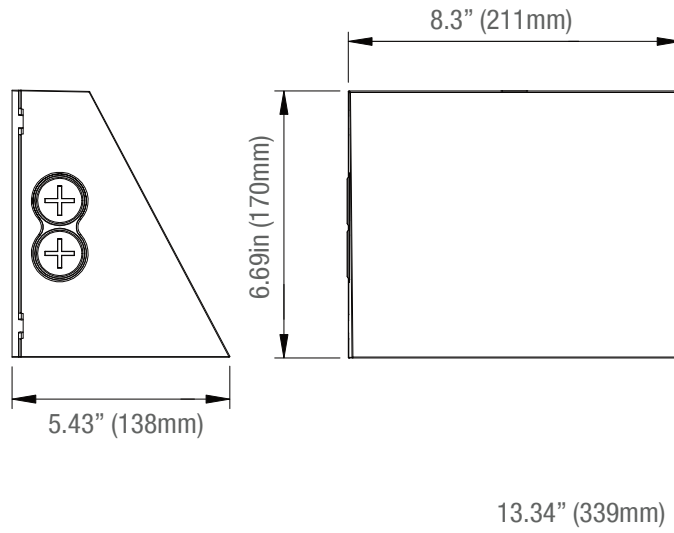


Motion Sensor

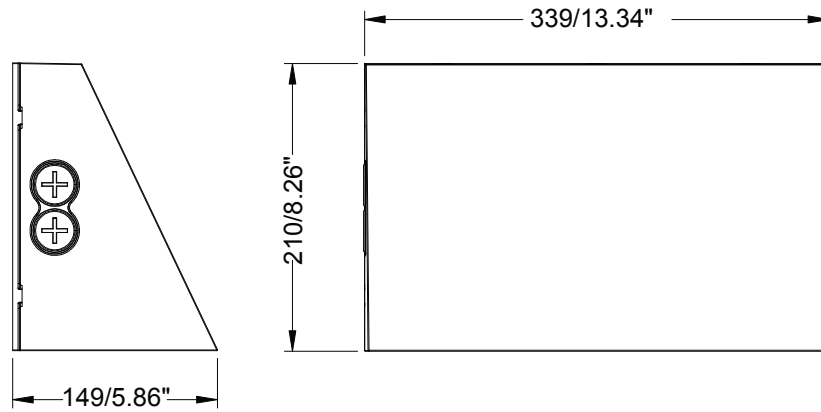
P10591 SEN-HD10VR-PH-1A-AUX
(Sensor-Motion 0-10V external 12V PIR AUX)

DIMENSIONS

40 S/Wattage
4.08-lbs

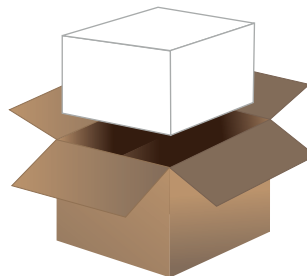


100 S/Wattage
6.19-lbs



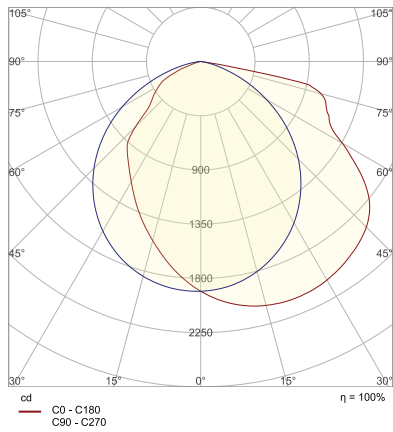
PACKAGE

	Master Carton (pc)	Dimensions (in)	Weight (lb)
40 S/W	1	10.83" x 9.10" x 7.91"	5.47
100 S/W	1	15.87" x 10.67" x 8.46"	8.33

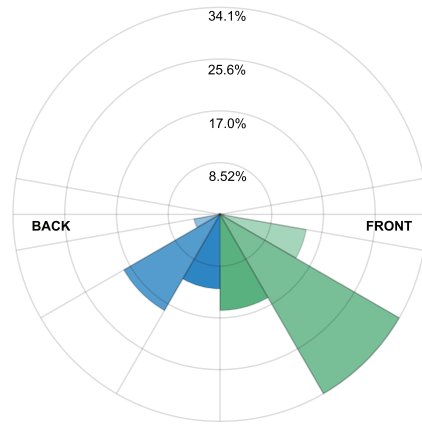


PHOTOMETRICS

40 S/ Wattage



BUG rating B2 U0 G1

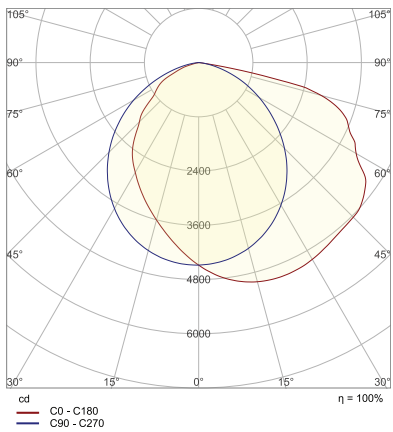


Illuminance at a Distance

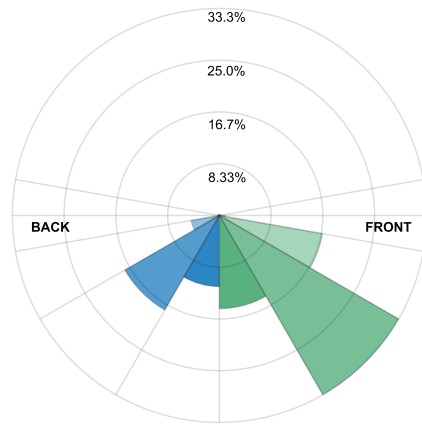
	Center Beam fc	Beam Width	
2.5ft	305 fc	6.9 ft	5.8 ft
5.0ft	76.3 fc	13.8 ft	11.7 ft
7.5ft	33.9 fc	20.7 ft	17.5 ft
10.0ft	19.1 fc	27.6 ft	23.3 ft
12.5ft	12.2 fc	34.5 ft	29.1 ft
15.0ft	8.47 fc	41.4 ft	35.0 ft

■ Vert. Spread: 108.1°
■ Horiz. Spread: 98.7°

100 S/ Wattage



BUG rating B3 U0 G2



Illuminance at a Distance

	Center Beam fc	Beam Width	
2.5ft	717 fc	7.3 ft	5.8 ft
5.0ft	179 fc	14.6 ft	11.7 ft
7.5ft	79.7 fc	21.9 ft	17.5 ft
10.0ft	44.8 fc	29.1 ft	23.4 ft
12.5ft	28.7 fc	36.4 ft	29.2 ft
15.0ft	19.9 fc	43.7 ft	35.1 ft

■ Vert. Spread: 111.1°
■ Horiz. Spread: 98.9°