

CAL Compact Area Light Z10

PROJECT:

SCHEDULE:

DATE:

PREPARE BY:

NOTES:

DESCRIPTION

The naturaLED® Compact Area Light features a durable die-cast aluminum housing with an advanced thermal design, making it an ideal lighting solution for parking lots, streets, walkways, and flood or wall lighting. It delivers uniform, consistent color with a versatile wattage range, capable of replacing up to 1500W HID fixtures. DLC Premium certified, IK10, and IP65 rated, it offers five mounting options: Pole Mount, Adjustable Pole, Slip Fitter, Yoke Mount, and Wall Mount. Additionally, the preinstalled Z10 Receptacle enables effortless plug-and-play control upgrades during installation or at a later time.

APPLICATIONS

Parking Lot, Street, Site, Streetscape, Area Lighting, Flood Light, Wall Light

FEATURES

- DLC Premium
- IP65 Rated
- UL/cUL Listed
- IK Rating: IK10
- Wattage & Color Selectable
- Z10 Receptacle Pre-installed
- Wattage: 70-150W, 200-340W
- Color Temp: CCT3 (30/40/50K)
- Voltage: 120-277V, 120-347V
- Surge Protection: 6KV
- Dimmable: 0-10V
- CRI: >70
- Operating Temperature: -40°F to 122°F
- Beam Angle: Type 3 (Optional for Type 4, Type 5 Lens)
- Power Cable Length: 6-ft
- Lens: UV Resistant Polycarbonate Lens
- Material: Die Cast Aluminum
- Color: Bronze
- Optional Accessories for Purchase: Mounts, Lens, Sensors, Photocell, Surge Protector
- Warranty: 5-Year Limited Warranty



Rated Life Hours 50,000
Warranty 5 Years

ACCESSORIES

	Mounting Arms		Wall Mount
	Shorting Cap		Z10 Receptacle & Controls
	Photocell		Glare Shield
	Surge Protection		Pole Mountings
	Lens- Type IV / V		Power Cables

SAMPLE NUMBER

CAL150S/T3/C3/BZ-Z10

SERIES	WATTAGE	LENS	CRI/COLOR TEMP	COLOR	CONTROL READY
CAL Compact Area Light	150S 150 Selectable Wattage	T3 Type 3 Lens	C3 3CCT (3000/4000/5000K)	BZ Bronze	Z10 Z10 Receptacle



COMPACT AREA LIGHT Z10

WALL & AREA LUMINAIRES

ORDERING

*P= Premium DLC / *S = Standard DLC

Ordering Code	Description	Watts (W)	Lumens (Lm)	CCT (K)	Equiv. Wattage (W)	Voltage	Size	IP65 Rated	DLC (S/P)
9530	CAL/150S/T3/C3/BZ-Z10	70	9,100	3CCT	400-575	120-277V	12.5" x 3.14"	•	P
		100	13,527	(30/40/50K)					
		150	19,842						
9531	CAL/300S/T3/C3/BZ-Z10	200	26,000	3CCT	1000-1500W	120-277V	12.4" x 22.72"	•	P
		240	32,491	(30/40/50K)					
		300	40,397						
9604	CAL/150S/T3/C3/BZ/347-Z10	70	9,100	3CCT	400-575	120-347V	12.5" x 13.14"	•	P
		100	13,527	(30/40/50K)					
		150	19,842						
9713	CAL/300S/T3/C3/BZ/347-Z10	200	26,000	3CCT	1000-1500W	120-347V	12.4" x 22.72"	•	P
		240	32,491	(30/40/50K)					
		300	40,397						

COMPACT AREA LIGHT Z10

WALL & AREA LUMINAIRES

ACCESSORIES



8" Adjustable Pole Mount

P10523 MT-AL/PM8/BZ
(8" Adjustable Pole Mount Bronze)



8" Pole Mount Arm

P10365 MT-CAL/PM8/BZ
(8" Pole Mount Arm Bronze)



Slip Fitter

P10366 MT-CAL/SF/BZ
(Slip Fitter Mount Bronze)



Wall Mount

K473478 MT-CAL/WM/BZ
(CAL Wall Mount Kit Bronze
P10473 MT-AL/WM/BZ +
P10478 MT-AL/MH/BZ)



Yoke Mount

P10367 MT-CAL/YK13/BZ
(13" Yoke Mount Bronze)



Glare Shield

P10405 GSFB-CAL/BZ
(Requires 1pc for 100/150W
2 pcs for 240/300W)



Photocell & Receptacle

K141030 REC3PLK/PHO
(Twist Lock Photocell &
Receptacle 120-277V 3 Prong)

K141223 REC3PLK/PHO/480
(Twist Lock Photocell &
Receptacle 480V 3 Prong)



Shorting Cap

P10053 SEN-PHO-LK-MT-SRT
(Twist Lock Photocell Shorting Cap
120-480V 3 Prong)



Motion/Photocell Sensor & Remote Control

P10520 SEN-ANT-5-Z10-PC
(Z10 Twist Lock Photocell
12-24Vdc White)

P10521 SEN-ANT-5-Z10
(Z10 Twist-Lock Microwave Motion
& Photocell Sensor, 0-10V,
12-24Vdc White)

P10522 SEN-ANT-6-Z10
(Z10 Twist-Lock PIR Motion &
Photocell Sensor, 0-10V,
12-24Vdc White)

P10316 SEN-BRI-RC100
(Remote Programmer for
P10521 and P10522)



Bluetooth

P10488 CTL-MW-PSC-ZKV-WCM-100-BLE-SR
(Bluetooth controller, 0-10V, 12-24Vdc, Z10 Brown)

P10517 CTL-MW-PSC-ZKV-WCM-110-BLE-SR-BN
Bluetooth controller w/ Photocell, 0-10V,
12-24Vdc, Z10 Brown



Type 4 & 5 Lens

P10398 LENS-CAL-IV
(Type IV Lens:
Requires 1pc for 100/150W,
Requires 2 pcs for 240/300W)

P10399 LENS-CAL-V
(Type V Lens:
Requires 1pc for 100/150W,
Requires 2 pcs for 240/300W)



Power Cables (SO Cord)

P10167 PWC-600V3-6FT
(Black SO Cord 6ft for
600V 3 Conductor)

P10168 PWC-600V3-10FT
(Black SO Cord 10ft for
600V 3 Conductor)

P10220 PWC-600V3-30FT
(Black SO Cord 30ft for
600V 3 Conductor)



Surge Protectors

P10389 SPD-L-10KV-277
(Single Phase Surge Protection
10KV 120-277V)

P10390 SPD-L-20KV-277
(Single Phase Surge Protection
20KV 120-277V)

P10391 SPD-L-20KV-480
(Single Phase Surge Protection
20KV 347-480V)



240-480V Driver

P10572 BALED-N6H-150M260A12H
(240-480V Driver for CAL 150W #9530)

P10573 BALED-N6H-320M260A12H
(240-480V Driver for CAL 300W #9531)

POLE BRACKETS



Round Pole Mount Tenon

P10348 MT-3RTV2.5-1/BZ
(3" Round Pole with 2-3/8" Tenon)

P10349 MT-4RTV2.5-1/BZ
(4" Round Pole with 2-3/8" Tenon)

P10350 MT-5RTV2.5-1/BZ
(5" Round Pole with 2-3/8" Tenon)



Square Pole Mount Tenon

P10351 MT-3STV2.5-1/BZ
(3" Square Pole with 2-3/8" Tenon)

P10352 MT-4STV2.5-1/BZ
(4" Square Pole with 2-3/8" Tenon)

P10353 MT-5STV2.5-1/BZ
(5" Square Pole with 2-3/8" Tenon)



Bullhorns with Double -180°

P10356 MT-2.5RTBV2.5-2180/BZ
(Bullhorn with Double 2-3/8" Tenon-180°)



Bullhorns with Triple -180°

P10357 MT-2.5RTBV2.5-3180/BZ
(Bullhorn with Triple 2-3/8" Tenon-180°)



Bullhorns with Triple -120°

P10358 MT-2.5RTBV2.5-3120/BZ
(Bullhorn with triple 2-3/8" Tenon-120°)



Spoke Mount Bracket with Double - 90°

P10359 MT-2.5RTBH2.5-290/BZ
(Spoke Mount Bracket with Double 2-3/8" -90°)



Square Pole Mount with Double - 180°

P10360 MT-4STV2.5-2180/BZ
(4" Square Pole Mount with Double 2-3/8" Tenon)



Square Pole Mount with Triple - 180°

P10361 MT-4STV2.5-3180/BZ
(4" Square Pole Mount with Triple 2-3/8" Tenon)



Square Pole Mount with Quad - 90°

P10362 MT-4STV2.5-490/BZ
(4" Square Pole Mount with Quad 2-3/8" Tenon)



Wall Mount Bracket

P10363 MT-4WM2.5-1/BZ
(Wall Mount Bracket with 2-3/8" Tenon)



Angled Mount Bracket - 90°

P10364 MT-4WM2.5-190/BZ
(90° Angled Wall Mount with 2-3/8" Tenon)



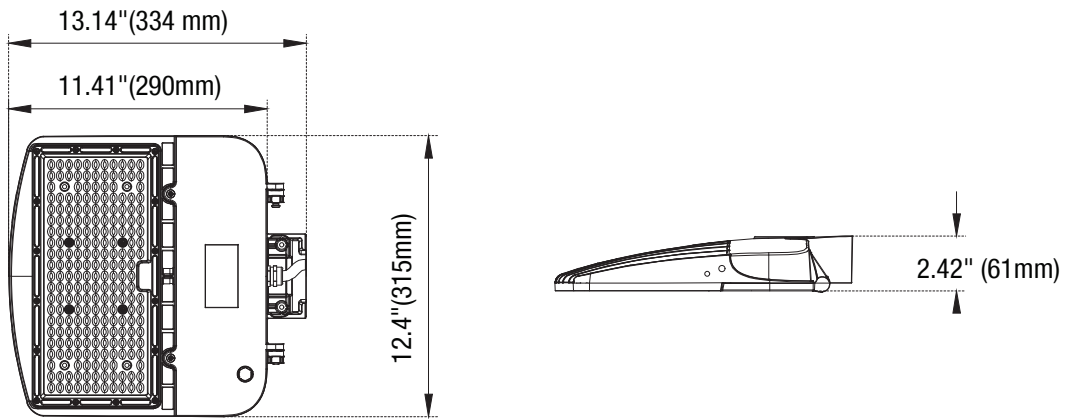
Light Pole Cap

P10354 MT-4STC/BK
(4" Square Pole Cap)

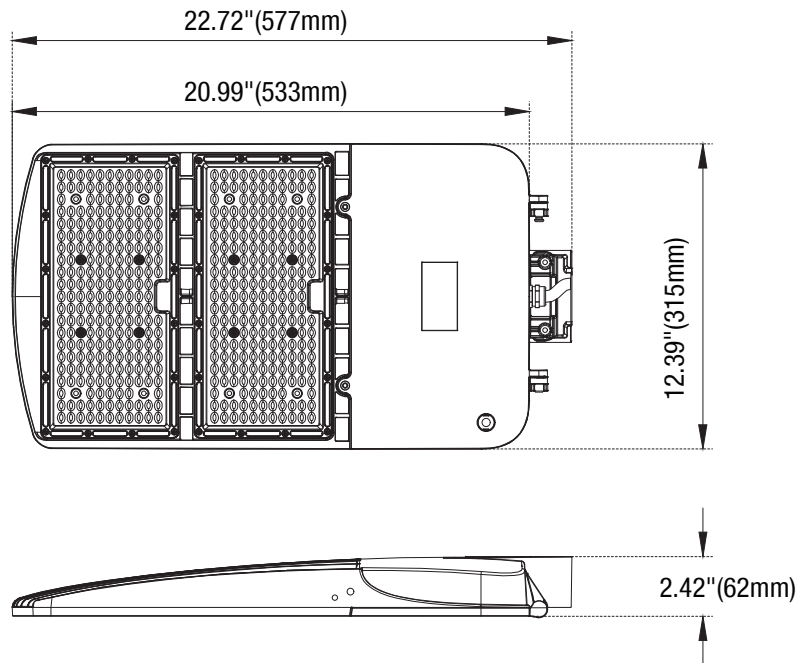
COMPACT AREA LIGHT Z10
WALL & AREA LUMINAIRES

DIMENSIONS

150SW
6.48-lbs



300SW
10.75-lbs



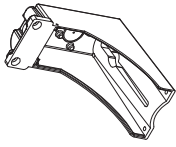
COMPACT AREA LIGHT Z10

WALL & AREA LUMINAIRES

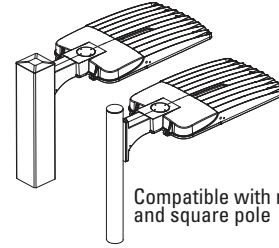
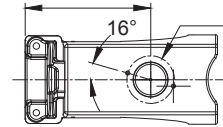
MOUNTINGS

Pole Mount 8"

P10365 MT-CAL/PM8/BZ



5.18in (131.6mm)

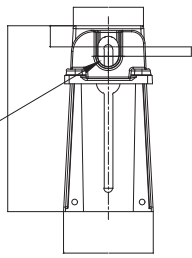


Compatible with round and square pole

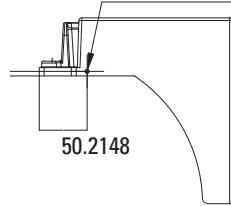


Remove gasket for round pole mounting

R0.43in (11mm)



2-M4



50.2148

2-R0.18 (4.5mm)

4.37in (111mm)

1.38in (35mm)

Ø0.98in (25mm)

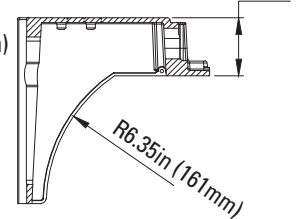
6.93in (176mm)

0.96in (24.5mm)

2.79in (70.8mm)

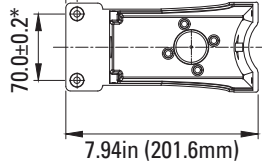
0.39in (10mm)

2.4in (61mm)



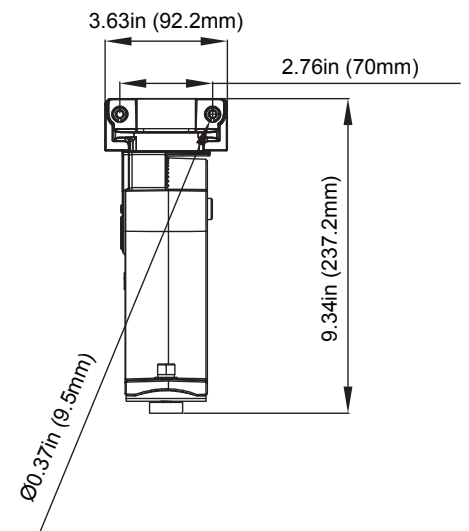
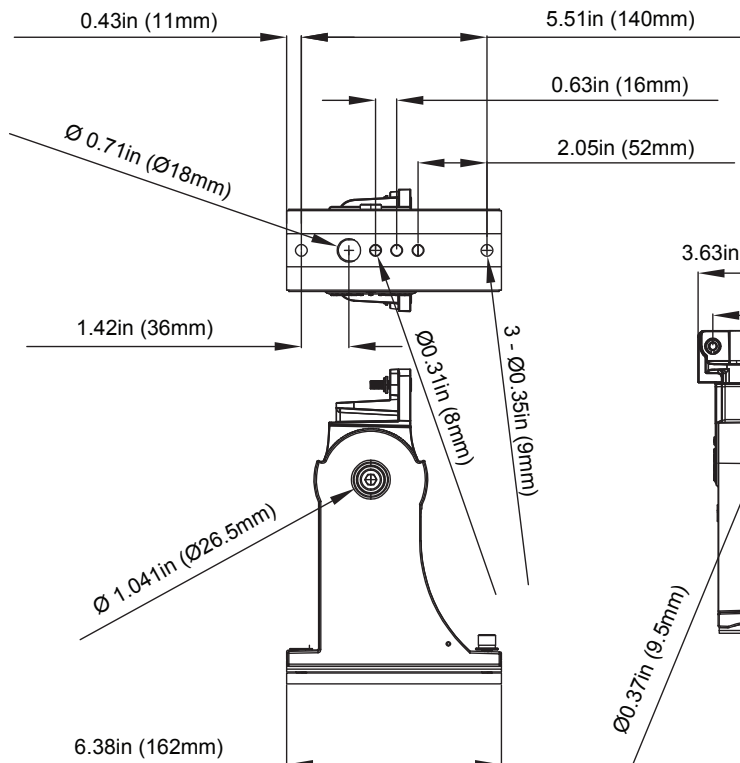
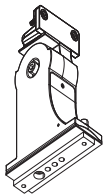
R6.35in (161mm)

11.8±0.2*



Adjustable Mount 8"

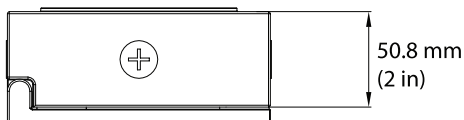
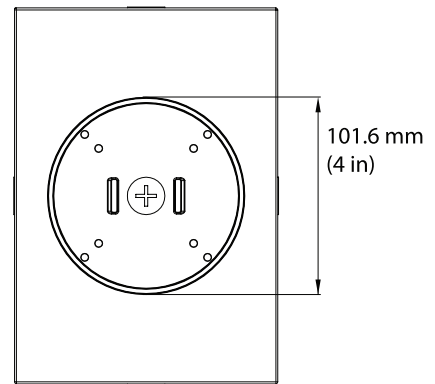
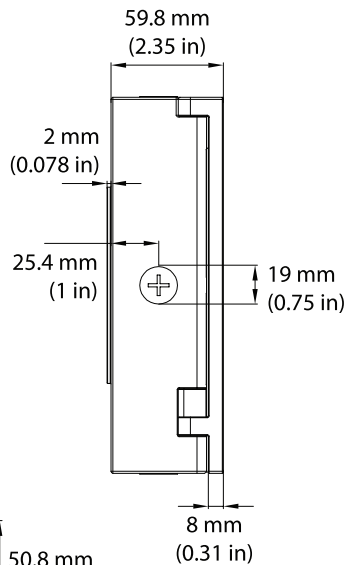
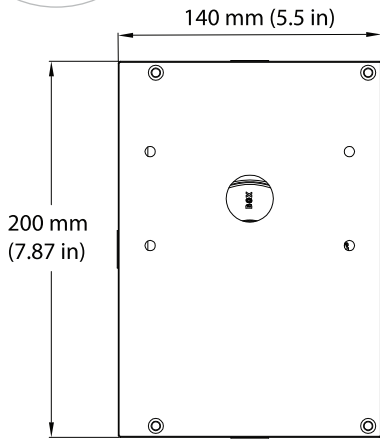
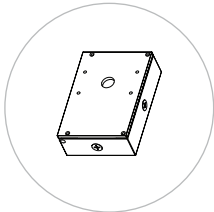
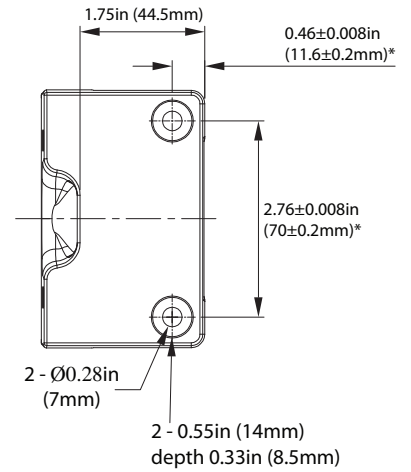
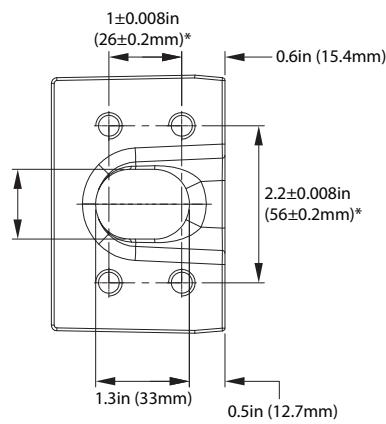
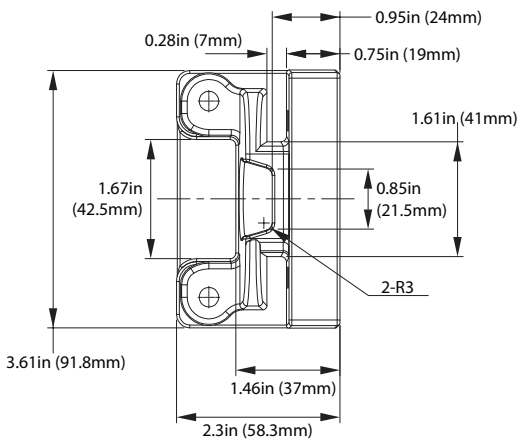
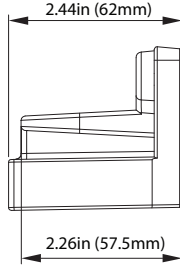
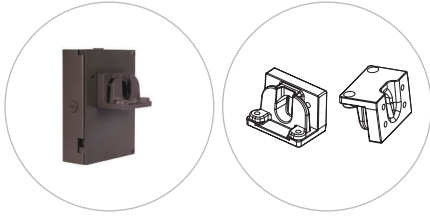
P10523 MT-AL/PM8/BZ



MOUNTINGS

Wall Mount

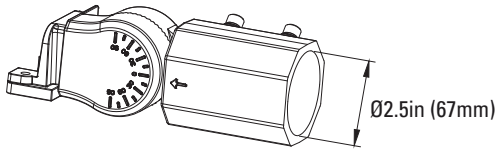
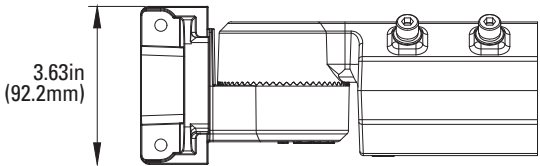
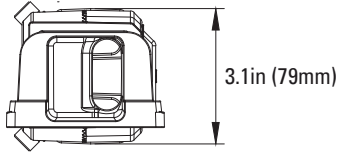
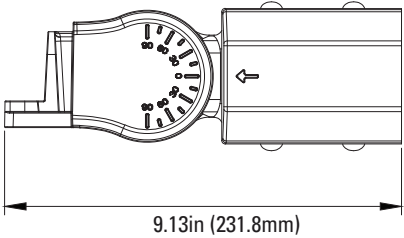
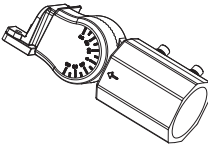
K473478 MT-AL/WM/BZ
(P10473 MT-AL/WM/BZ+ P10478 MT-AL/MH/BZ)



MOUNTINGS

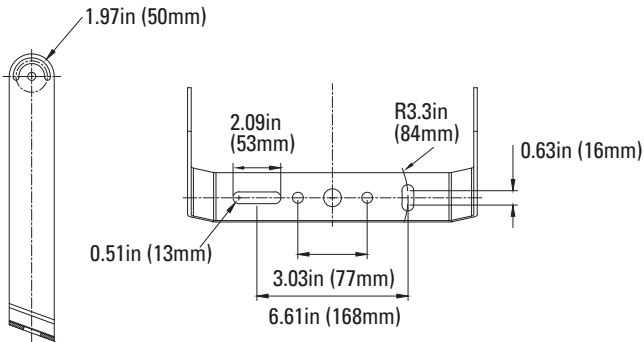
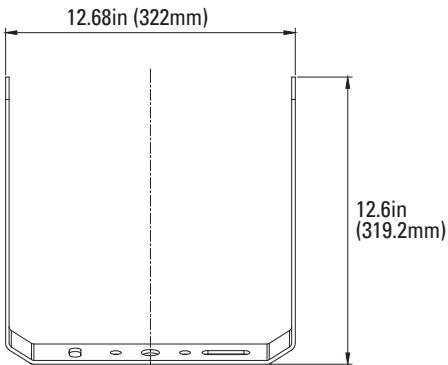
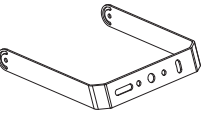
Slip Fitter

P10366 MT-CAL/SF/BZ



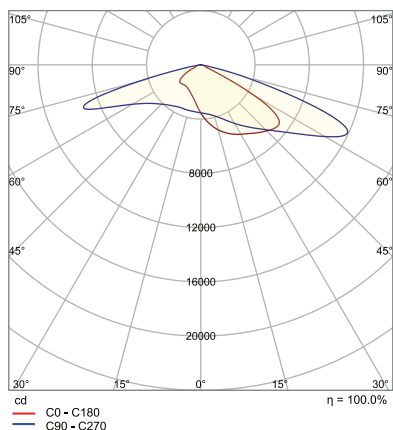
Yoke Mount

P10367 MT-CAL/YK13/BZ

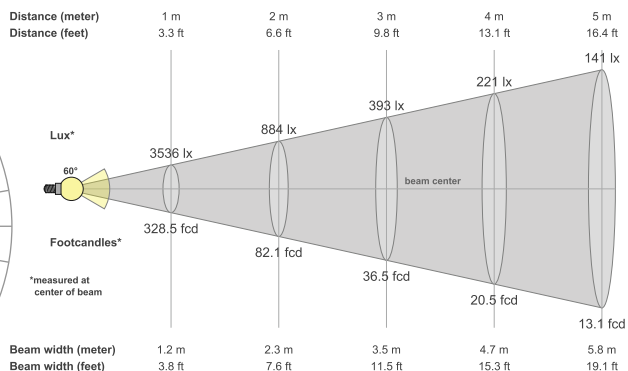
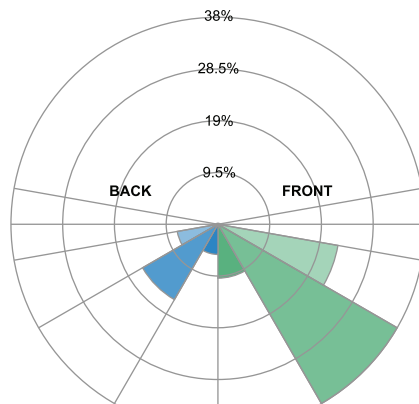


PHOTOMETRICS

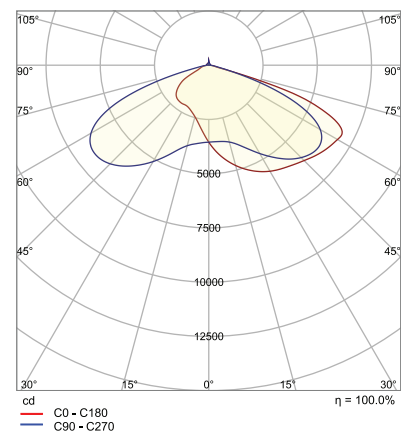
150 S/Wattage (Type 3)



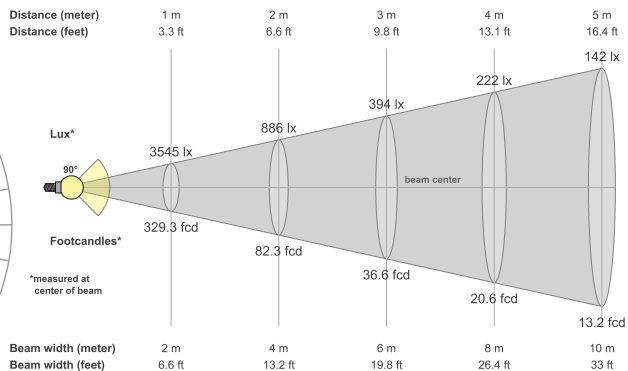
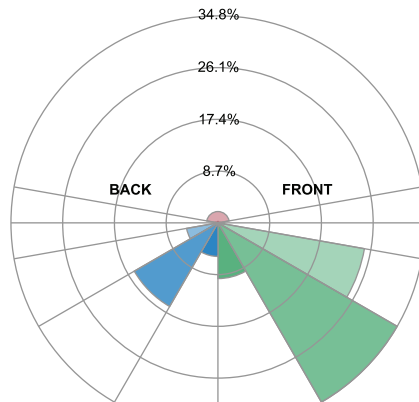
BUG rating B3 U2 G3



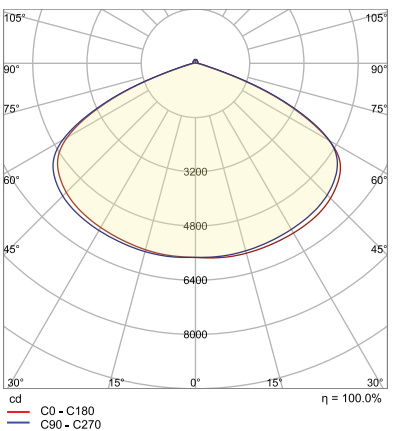
150 S/Wattage (Type 4)



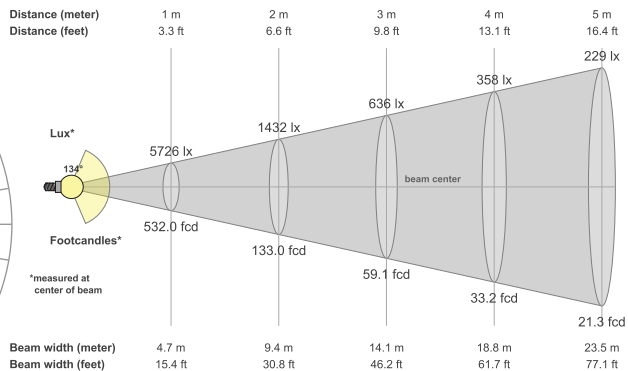
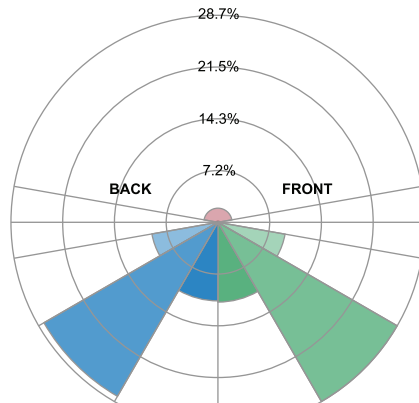
BUG rating B3 U3 G3



150 S/Wattage (Type 5)



BUG rating B4 U3 G3



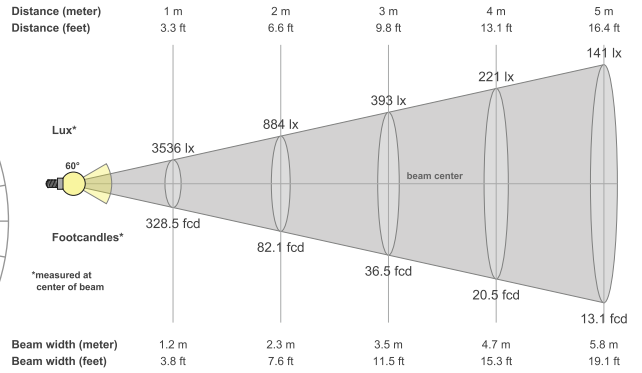
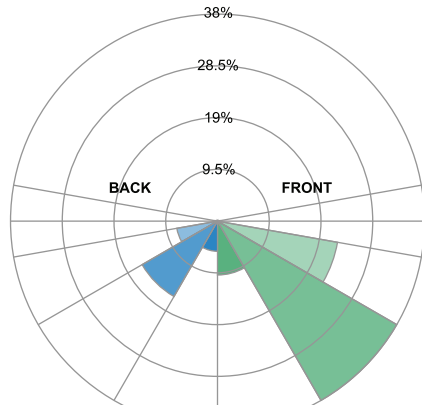
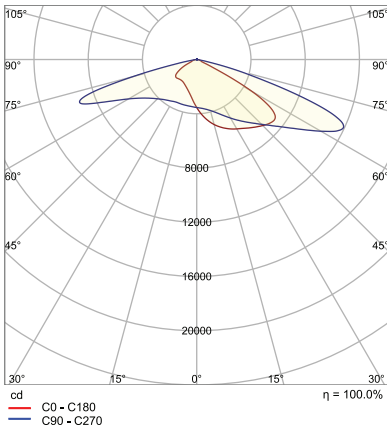
COMPACT AREA LIGHT Z10

WALL & AREA LUMINAIRES

PHOTOMETRICS

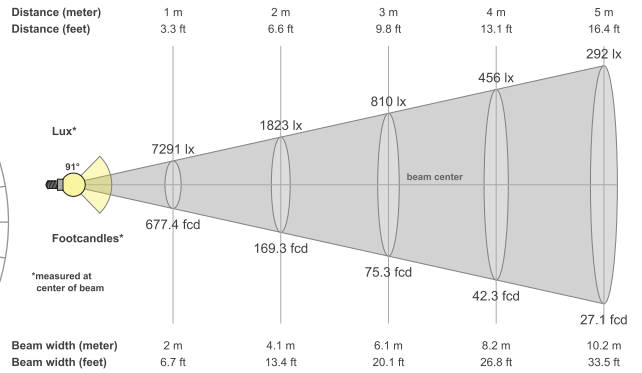
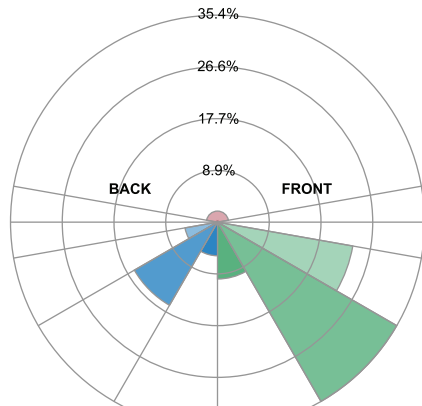
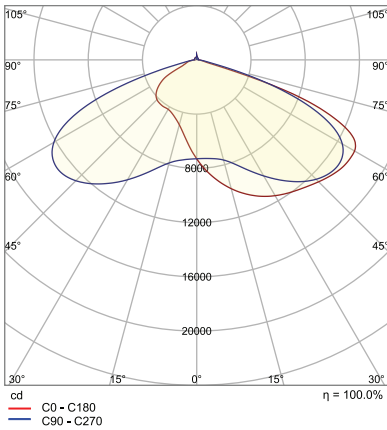
300 S/Wattage (Type 3)

BUG rating B3 U2 G3



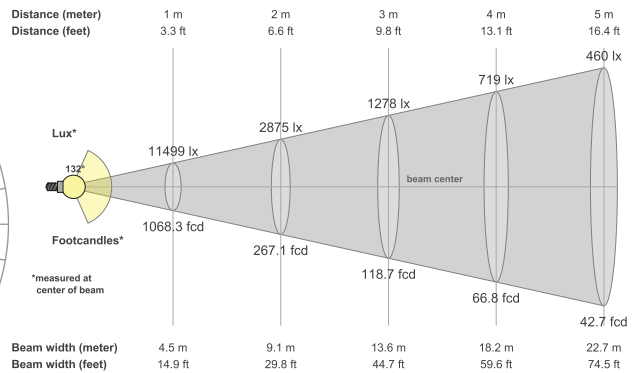
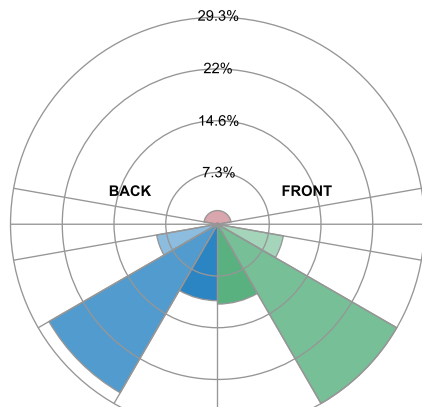
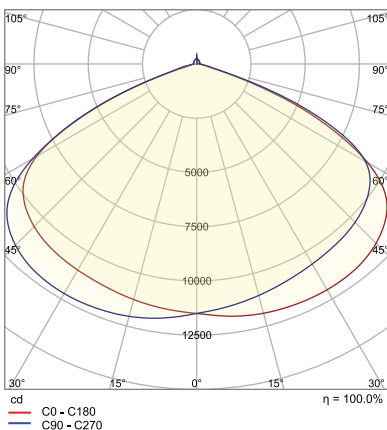
300 S/Wattage (Type 4)

BUG rating B4 U4 G4



300 S/Wattage (Type 5)

BUG rating B5 U4 G4

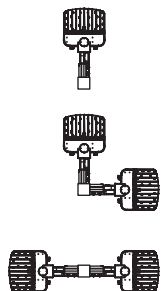


COMPACT AREA LIGHT Z10

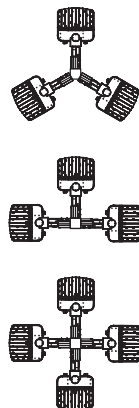
WALL & AREA LUMINAIRES

EPA RATING

150SW

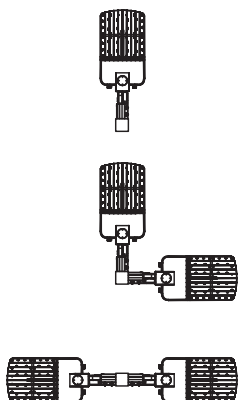


Config.	EPA
1	0.4
2 @ 90°	0.66
2 @ 180°	0.79

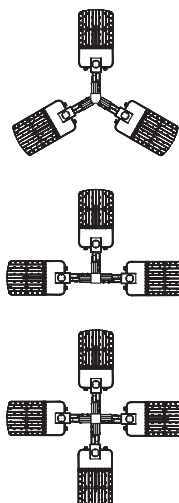


Config.	EPA
3 @ 120°	0.99
3 @ 90°	1.19
4 @ 180°	1.58

300SW



Config.	EPA
1	0.56
2 @ 90°	0.92
2 @ 180°	1.12



Config.	EPA
3 @ 120°	1.38
3 @ 90°	1.66
4 @ 180°	2.21

PACKAGE

	Master Carton (pc)	Dimensions (in)	Weight (lb)
150W	1	18.11"x14.37"x5.71"	8.5
300W	1	27.72"x14.37"x5.71"	13

