

## BLD 8" BOLLARD

PROJECT: \_\_\_\_\_

SCHEDULE: \_\_\_\_\_ DATE: \_\_\_\_\_

PREPARE BY: \_\_\_\_\_

NOTES: \_\_\_\_\_

### DESCRIPTION

naturaLED® BLD bright pathway lighting is important for the safety of pedestrian foot traffic. Ensuring that sidewalks and pavement are well lit reduces the risk of people tripping and falling. The superior quality of our DLC Bollard light fixture provides glare-free lighting that replaces 100 watt metal halide fixtures and produces 2000 lumens.



### APPLICATIONS

Security, Pathway, Perimeter, Entryway, Area Lighting



**Rated Life 50,000 Hours**  
**Warranty 5 Years**

### FEATURES

- DLC Standard
- IP65 Rated
- ETL Listed
- Selectable Wattages
- Color Temp: 4000K, 5000K
- Voltage: 120-277V
- Surge Protection: 2KV
- Power factor: >0.9
- CRI: >80
- Beam Angle: 360°
- Operating temperature: -22°F - 122°F
- Energy savings up to 80% compared to metal halide bollards
- Customizable wattage allows flexibility for user's needs
- 8" diameter makes easy replacement for traditional bollards
- Material: Die Cast Aluminum
- Extruded Aluminum Body
- Lens: UV resistant polycarbonate lens
- Available in 4 configurations: cone, louvers, type 3, frosted lens
- Colors: Black or Bronze
- 5Year Warranty



**SAMPLE NUMBER** LED-FX8BLD18/42FCN/840/BK

STYLE	FAMILY	DIAMETER	SERIES	WATTAGE	LENGTH/SHAPE	CRI/COLOR TEMP	COLOR
LED	FX	8	BLD	18	42FCN	840	BK
LED Lighting	Fixture	8-inch	Bollard	Selectable Wattage <18	42 inch FCN - Flat Reflector FFR - Frosted FLV- Flat Louver Reflector FT3- Type 3	CRI 80 4000K	Black



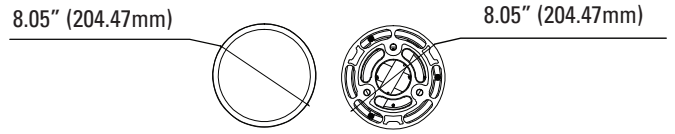
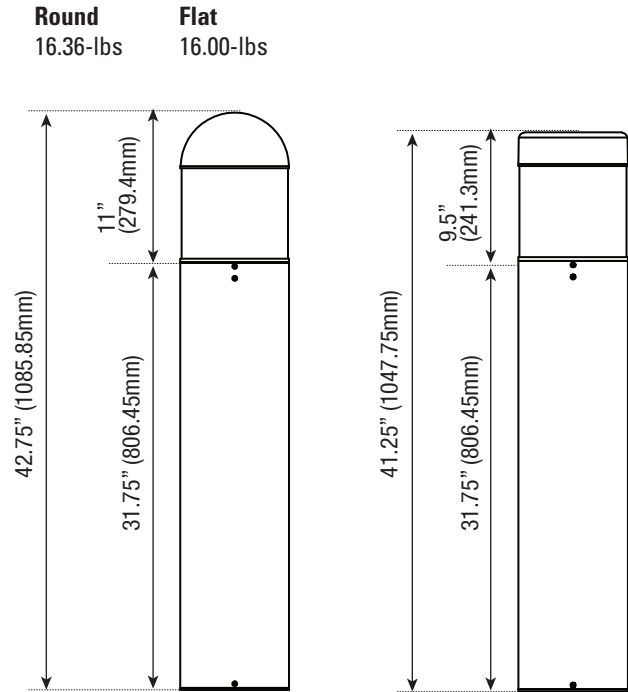
ORDERING

\*P= Premium DLC / \*S = Standard DLC / \*E = Energy Star

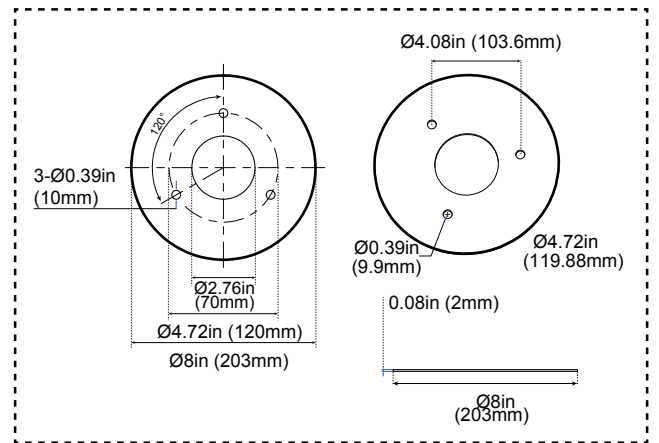
	Watts (W)	Ordering Code	Description	CCT (K)	Lumens (Lm)	Color	Beam Angle	IP65 Rated	DLC (S/P)
Flat	9/13/18	<b>9326</b>	LED-FX8BLD18/42FCN/840/BK	4000K	1000/1500/2000	Black	360°	•	S
	9/13/18	<b>9327</b>	LED-FX8BLD18/42FCN/850/BK	5000K	1000/1500/2000	Black	360°	•	S
	9/13/18	<b>9328</b>	LED-FX8BLD18/42FLV/840/BK	4000K	750/1100/1566	Black	360°	•	-
	9/13/18	<b>9329</b>	LED-FX8BLD18/42FLV/850/BK	5000K	750/1100/1566	Black	360°	•	-
	9/13/18	<b>9332</b>	LED-FX8BLD18/42FFR/840/BK	4000K	800/1200/1622	Black	Frosted	•	-
	9/13/18	<b>9333</b>	LED-FX8BLD18/42FFR/850/BK	5000K	800/1200/1622	Black	Frosted	•	-
	9/13/18	<b>9330</b>	LED-FX8BLD18/42FT3/840/BK	4000K	700/1000/1464	Black	Type 3	•	-
	9/13/18	<b>9331</b>	LED-FX8BLD18/42FT3/850/BK	5000K	700/1000/1464	Black	Type 3	•	-
	9/13/18	<b>9334</b>	LED-FX8BLD18/42FCN/840/BZ	4000K	1000/1500/2000	Bronze	360°	•	S
	9/13/18	<b>9335</b>	LED-FX8BLD18/42FCN/850/BZ	5000K	1000/1500/2000	Bronze	360°	•	S
	9/13/18	<b>9336</b>	LED-FX8BLD18/42FLV/840/BZ	4000K	750/1100/1566	Bronze	360°	•	-
	9/13/18	<b>9337</b>	LED-FX8BLD18/42FLV/850/BZ	5000K	750/1100/1566	Bronze	360°	•	-
	9/13/18	<b>*9340</b>	LED-FX8BLD18/42FFR/840/BZ	4000K	800/1200/1622	Bronze	Frosted	•	-
	9/13/18	<b>*9341</b>	LED-FX8BLD18/42FFR/850/BZ	5000K	800/1200/1622	Bronze	Frosted	•	-
	9/13/18	<b>*9338</b>	LED-FX8BLD18/42FT3/840/BZ	4000K	700/1000/1464	Bronze	Type 3	•	-
	9/13/18	<b>*9339</b>	LED-FX8BLD18/42FT3/850/BZ	5000K	700/1000/1464	Bronze	Type 3	•	-
Round	9/13/18	<b>9374</b>	LED-FX8BLD18/42RCN/840/BK	4000K	1000/1500/2000	Black	360°	•	S
	9/13/18	<b>9375</b>	LED-FX8BLD18/42RCN/850/BK	5000K	1000/1500/2000	Black	360°	•	S
	9/13/18	<b>9376</b>	LED-FX8BLD18/42RLV/840/BK	4000K	750/1100/1566	Black	360°	•	-
	9/13/18	<b>9377</b>	LED-FX8BLD18/42RLV/850/BK	5000K	750/1100/1566	Black	360°	•	-
	9/13/18	<b>9380</b>	LED-FX8BLD18/42RFR/840/BK	4000K	750/1100/1566	Black	Frosted	•	-
	9/13/18	<b>*9381</b>	LED-FX8BLD18/42RFR/850/BK	5000K	750/1100/1566	Black	Frosted	•	-
	9/13/18	<b>9378</b>	LED-FX8BLD18/42RT3/840/BK	4000K	700/1000/1464	Black	Type 3	•	-
	9/13/18	<b>*9379</b>	LED-FX8BLD18/42RT3/850/BK	5000K	700/1000/1464	Black	Type 3	•	-
	9/13/18	<b>9382</b>	LED-FX8BLD18/42RCN/840/BZ	4000K	1000/1500/2000	Bronze	360°	•	S
	9/13/18	<b>9383</b>	LED-FX8BLD18/42RCN/850/BZ	5000K	1000/1500/2000	Bronze	360°	•	S
	9/13/18	<b>9384</b>	LED-FX8BLD18/42RLV/840/BZ	4000K	750/1100/1566	Bronze	360°	•	-
	9/13/18	<b>*9385</b>	LED-FX8BLD18/42RLV/850/BZ	5000K	750/1100/1566	Bronze	360°	•	-
	9/13/18	<b>*9388</b>	LED-FX8BLD18/42RFR/840/BZ	4000K	750/1100/1566	Bronze	Frosted	•	-
	9/13/18	<b>*9389</b>	LED-FX8BLD18/42RFR/850/BZ	5000K	750/1100/1566	Bronze	Frosted	•	-
	9/13/18	<b>*9386</b>	LED-FX8BLD18/42RT3/840/BZ	4000K	700/1000/1464	Bronze	Type 3	•	-
	9/13/18	<b>*9387</b>	LED-FX8BLD18/42RT3/850/BZ	5000K	700/1000/1464	Bronze	Type 3	•	-

\*Special Order for lead time

**DIMENSIONS**



**Bolt Pattern Dimensions**



**STYLE**



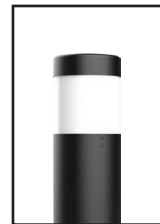
**Flat Cone Reflector**  
Model: FCN



**Flat Type 3**  
Model: FT3



**Flat Louver Reflector**  
Model: FLV



**Flat Frosted Lens**  
Model: FFR



**Round Cone Reflector**  
Model: RCN



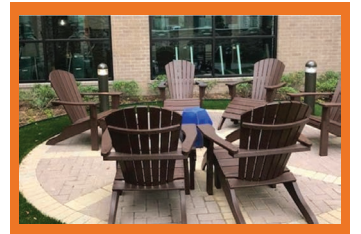
**Round Type 3**  
Model: RT3



**Round Louver Reflector**  
Model: RLV

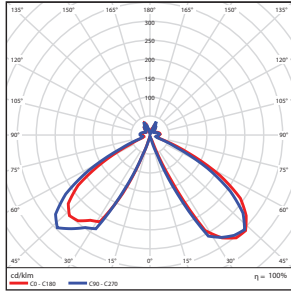


**Round Frosted Lens**  
Model: RFR



PHOTOMETRICS CHART

Cone Reflector (Flat -8")  
DLC Standard

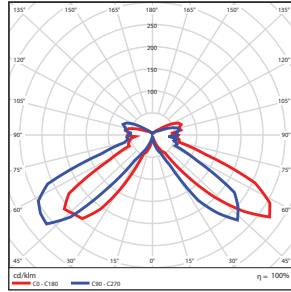


**Illuminance at a Distance**

Center Beam fc	Beam Width
2.5R	1.06 fc 6.5 ft 2.1 ft
5.0R	0.27 fc 13.0 ft 4.2 ft
7.5R	0.12 fc 19.5 ft 6.4 ft
10.0R	0.07 fc 26.0 ft 8.5 ft
12.5R	0.04 fc 32.5 ft 10.6 ft
15.0R	0.03 fc 38.9 ft 12.7 ft

Vert. Spread: 104.8°  
Horiz. Spread: 46.0°

Louver (Flat-8")

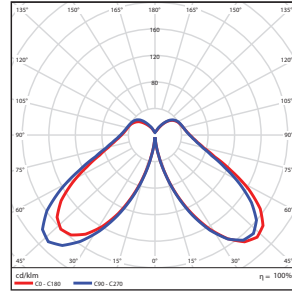


**Illuminance at a Distance**

Center Beam fc	Beam Width
2.5R	0.81 fc 1.2 ft 5.1 ft
5.0R	0.20 fc 2.3 ft 10.3 ft
7.5R	0.09 fc 3.5 ft 15.4 ft
10.0R	0.05 fc 4.6 ft 20.6 ft
12.5R	0.03 fc 5.8 ft 25.7 ft
15.0R	0.02 fc 6.9 ft 30.9 ft

Vert. Spread: 25.9°  
Horiz. Spread: 91.7°

Frosted Lens (Flat-8")

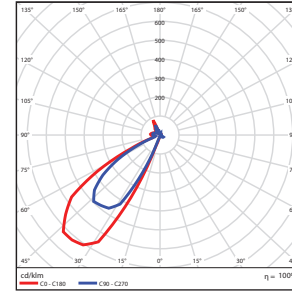


**Illuminance at a Distance**

Center Beam fc	Beam Width
2.5R	0.72 fc 7.9 ft 9.9 ft
5.0R	0.18 fc 15.8 ft 19.7 ft
7.5R	0.08 fc 23.7 ft 29.6 ft
10.0R	0.05 fc 31.6 ft 39.5 ft
12.5R	0.03 fc 39.5 ft 49.4 ft
15.0R	0.02 fc 47.4 ft 59.2 ft

Vert. Spread: 115.3°  
Horiz. Spread: 126.3°

Type 3 (Flat-8")

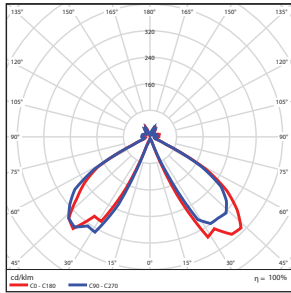


**Illuminance at a Distance**

Center Beam fc	Beam Width
2.5R	0.68 fc 2.0 ft 5.5 ft
5.0R	0.17 fc 4.1 ft 10.9 ft
7.5R	0.08 fc 6.1 ft 16.4 ft
10.0R	0.04 fc 8.1 ft 21.9 ft
12.5R	0.03 fc 10.2 ft 27.4 ft
15.0R	0.02 fc 12.2 ft 32.8 ft

Vert. Spread: 44.2°  
Horiz. Spread: 95.2°

Cone Reflector (Round -8")  
DLC Standard

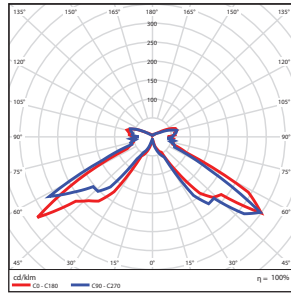


**Illuminance at a Distance**

Center Beam fc	Beam Width
2.5R	1.65 fc 1.7 ft 5.8 ft
5.0R	0.41 fc 3.3 ft 11.6 ft
7.5R	0.18 fc 5.0 ft 17.4 ft
10.0R	0.10 fc 6.6 ft 23.2 ft
12.5R	0.07 fc 8.3 ft 29.0 ft
15.0R	0.05 fc 10.0 ft 34.8 ft

Vert. Spread: 36.8°  
Horiz. Spread: 98.4°

Louver (Round-8")

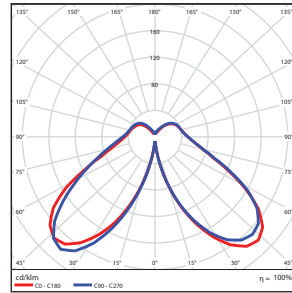


**Illuminance at a Distance**

Center Beam fc	Beam Width
2.5R	1.27 fc 6.2 ft 5.8 ft
5.0R	0.32 fc 12.4 ft 11.7 ft
7.5R	0.14 fc 18.6 ft 17.5 ft
10.0R	0.08 fc 24.7 ft 23.4 ft
12.5R	0.05 fc 30.9 ft 29.2 ft
15.0R	0.04 fc 37.1 ft 35.0 ft

Vert. Spread: 102.1°  
Horiz. Spread: 98.9°

Frosted Lens (Round-8")

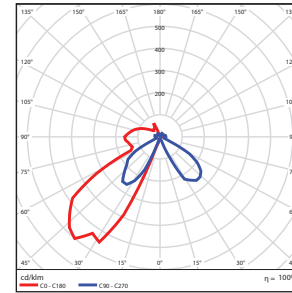


**Illuminance at a Distance**

Center Beam fc	Beam Width
2.5R	1.54 fc 8.6 ft 10.2 ft
5.0R	0.39 fc 17.2 ft 20.4 ft
7.5R	0.17 fc 25.8 ft 30.6 ft
10.0R	0.10 fc 34.4 ft 40.8 ft
12.5R	0.06 fc 43.0 ft 50.9 ft
15.0R	0.04 fc 51.6 ft 61.1 ft

Vert. Spread: 119.7°  
Horiz. Spread: 127.7°

Type 3 (Round-8")



**Illuminance at a Distance**

Center Beam fc	Beam Width
2.5R	1.12 fc 1.7 ft 4.8 ft
5.0R	0.28 fc 3.5 ft 9.7 ft
7.5R	0.12 fc 5.2 ft 14.5 ft
10.0R	0.07 fc 7.0 ft 19.4 ft
12.5R	0.04 fc 8.7 ft 24.2 ft
15.0R	0.03 fc 10.5 ft 29.1 ft

Vert. Spread: 38.6°  
Horiz. Spread: 88.2°

PACKAGE

Case Qty 1 pc

