

SPD SURGE PROTECTOR 10KV

PROJECT: _____

SCHEDULE: _____ DATE: _____

PREPARE BY: _____

NOTES: _____

DESCRIPTION

naturaLED® SPD-L-10KV-277 series are designed to be used in conjunction with LED Drivers to provide an additional level of protection against powerline disturbances in industrial and commercial applications. It is low-cost single-phase SPD. Our SPD are 3-leaded devices that protects: line-ground, line-neutral, and neutral-ground connections, the relatively smaller size of the installation requirements than similar products. Protects against surges and transients per ANSI C62.41-2002 category C low (6KV, 1.2/50µS & 3KA, 8/20µS) standard Combo waves and (6KV, 100KHz) ring wave.

Surge protection device may produce sparks and burns in some kind of failure state (such as MOV failure or prolonged work under the condition of greater than maximum working voltage), it must be installed inside the luminaires with certain protective function.



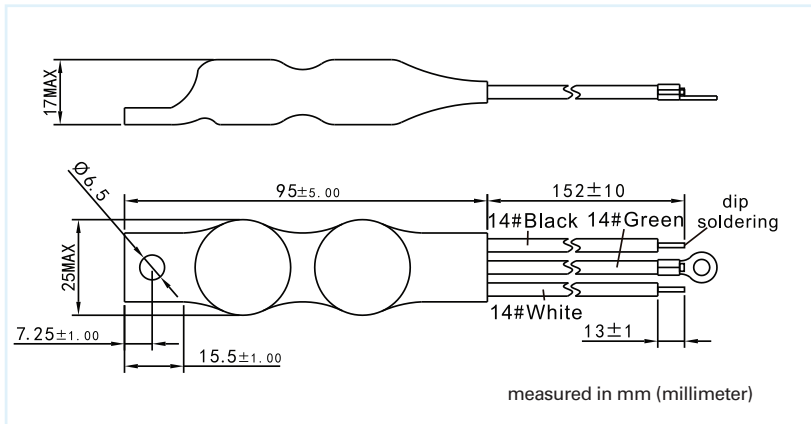
P10389 SPD-L-10KV-277

Protection for LED drivers capable of operating at 277V input voltage or with universal input range of 120V through 277V

Model	AC Mains Voltage	Max Continuous Operating Voltage		Measured Limiting Voltage (MLV)	Nominal Current (In)	MAX Current (Imax)	Max clamping Voltage 8/20µS @ 10KA
SPD-L-10KV-277	277V	320V	420V	L-N:1270V L-G:1400V N-G:1370V	5kA	10kA	1500V

IP65;Ta: -40~ 70°C (-40°F~158°F) ;Tc: 80°C (176°F)

SPD-L-10KV-277



Pulse rating (8 × 20µSec)	
Strikes	Surge
1	10,000A
2	6,500A
10	3,000A
100	1,500A
1000	700A

