

BAEM25-170BC/347-C

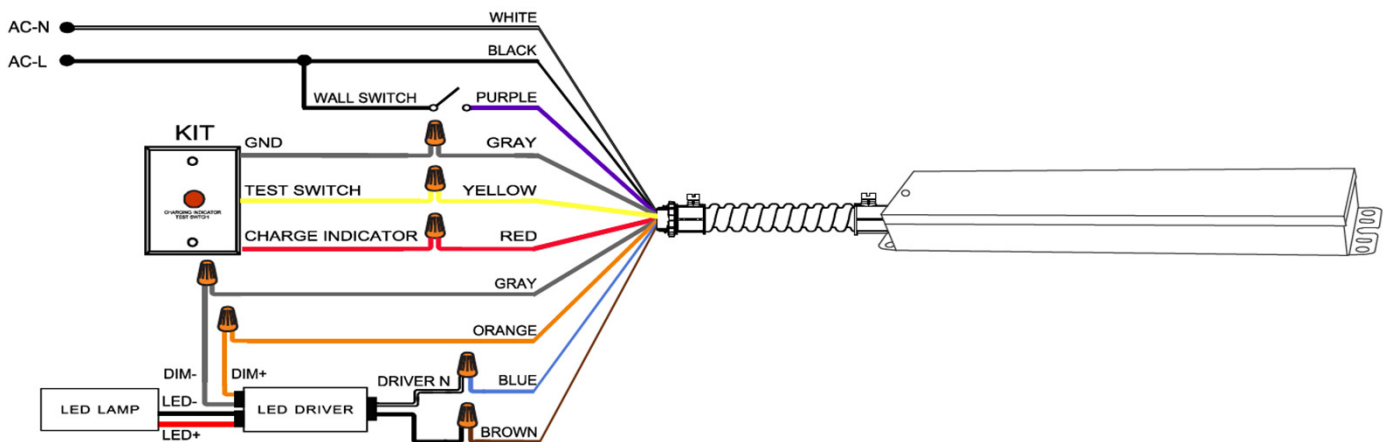
Order Code	7337
Input Voltage	120~347 Vac
Frequency	50/60 Hz
Input Current	200mA Max
Weight	2.67 lbs
Dimension	314x58x38mm (12.36x2.28x1.5in) + 330mm(13in) conduit



Electrical Characteristics

Output Voltage	170 Vdc
Output Current	147mA
Output Power	25W Max
Charge Current	200mA
Charging Time	≥ 24 Hours Minimum
Discharging Time	90 Minutes Minimum
Operation Environment Temperature	32F ~122F
Battery Life	500 cycles
Primary Application	Indoor, Commercial, Residential
Certifications	UL 924, CEC (BC Mark)

Wiring Diagram

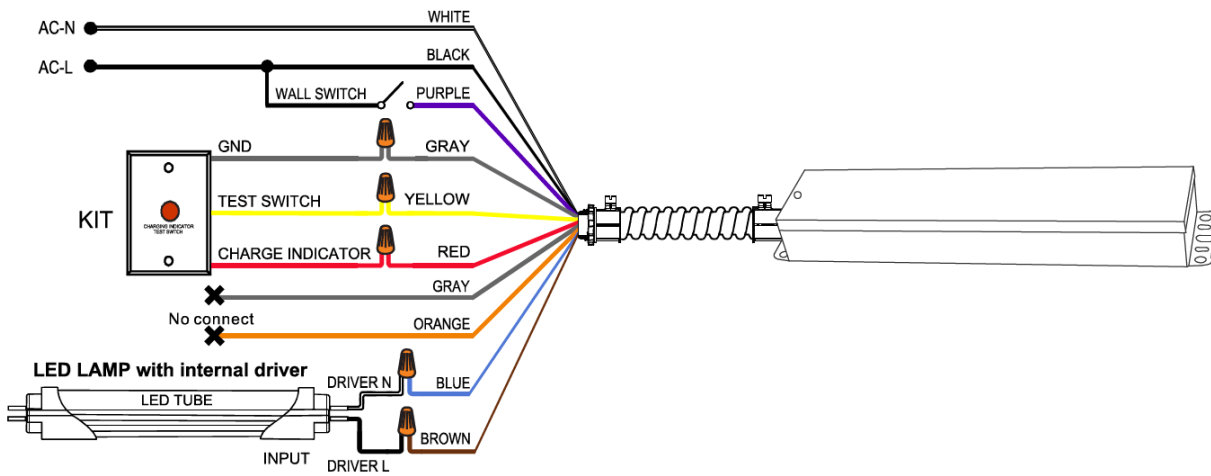


Cautions & Warnings: Contains Lithium. Rechargeable Battery. Must be recycled or disposed properly.

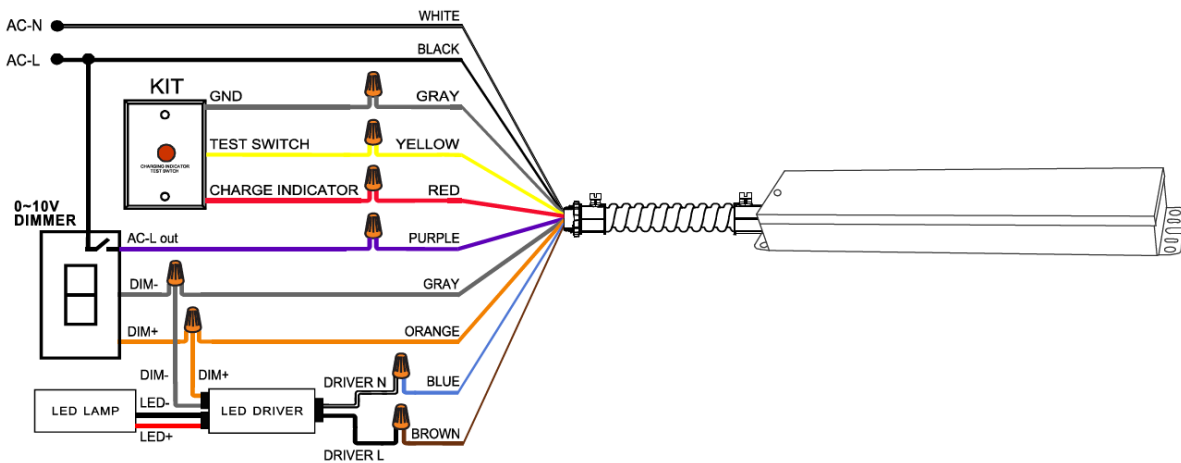
Warning: To prevent high voltage from being present on LED (-) lead proper to installation, battery pack must be disconnect. Do not connect battery pack until installation is complete and AC power is supplied to the emergency driver.

WIRING DIAGRAM

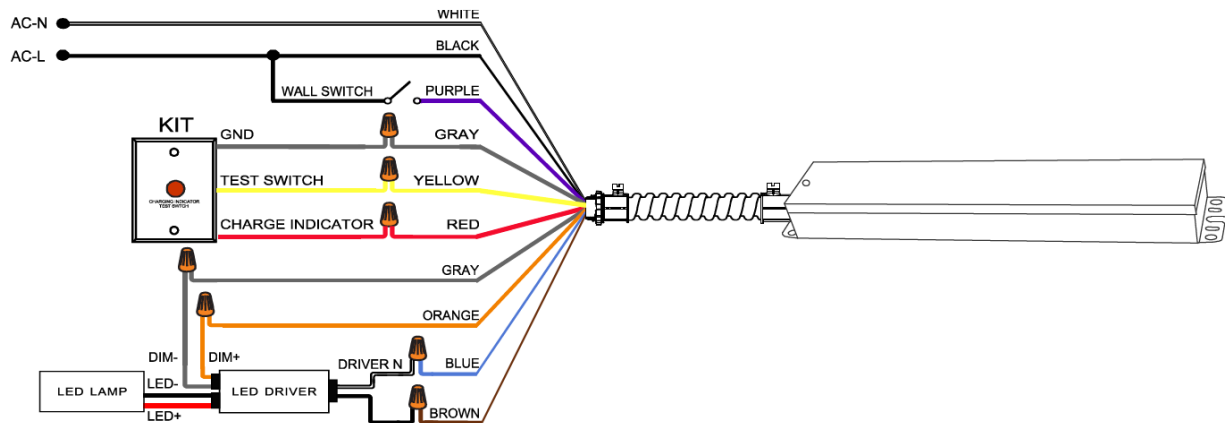
1. Normal Solution: When the LED driver power is less than the emergency power



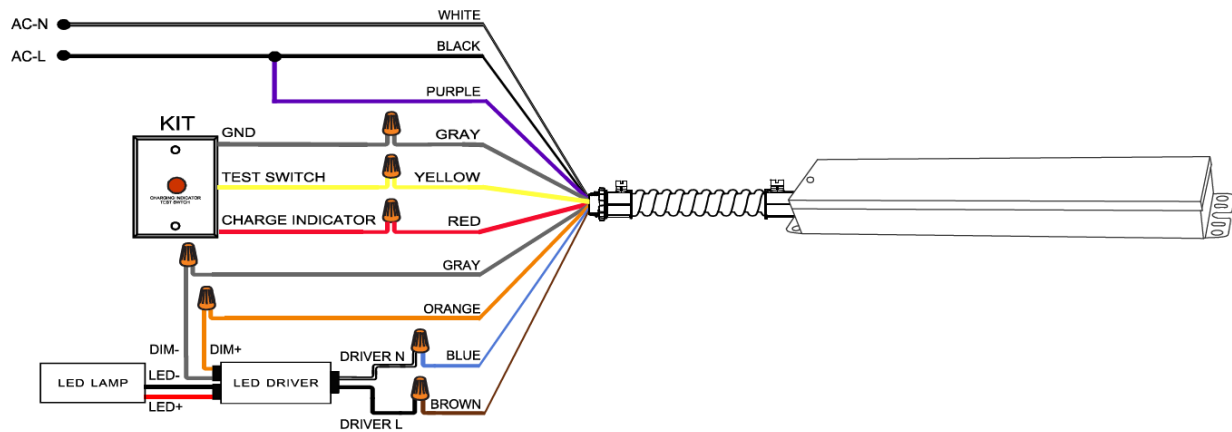
2. When LED driver power is more than emergency power and 0-10V wall switch is installed.



3. Without 0-10V wall switch



4. Without 0-10V wall switch and power always ON.



Caution

- Fixture cannot exceed 150W. Otherwise, emergency driver can malfunction and not work properly.
- Dimmable function is required for fixtures higher than 25W.
- The voltage input into the dimmable wires (DIM+, DIM-) of the emergency driver must be less than 20Vdc.
- While power is ON, Do not touch or remove any wire to prevent electric shock.
- While in emergency mode, before disconnecting any wire, press the test button once or twice to ensure that the LED lamp and indicator are turned off. This will help prevent electric shock.